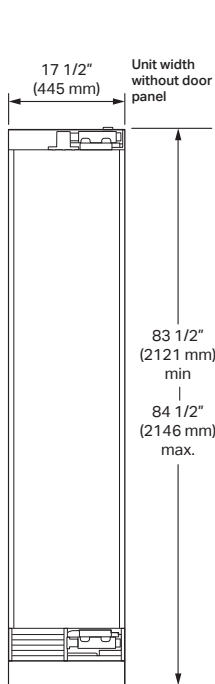
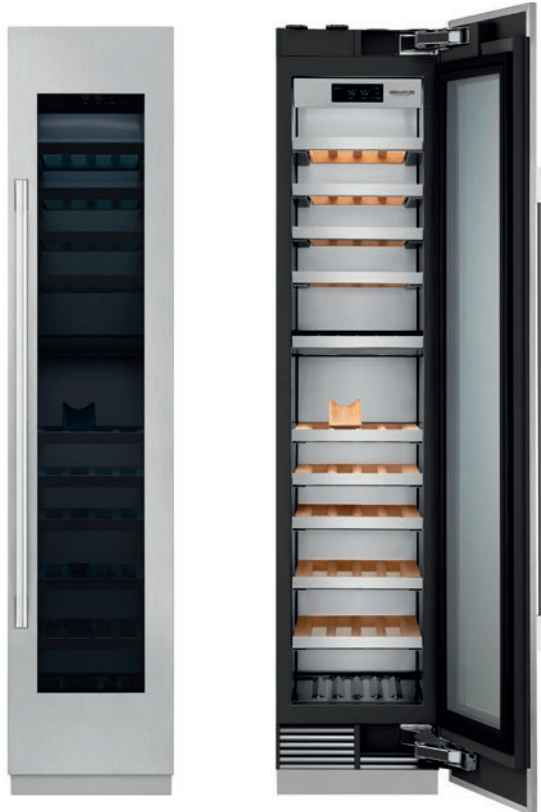
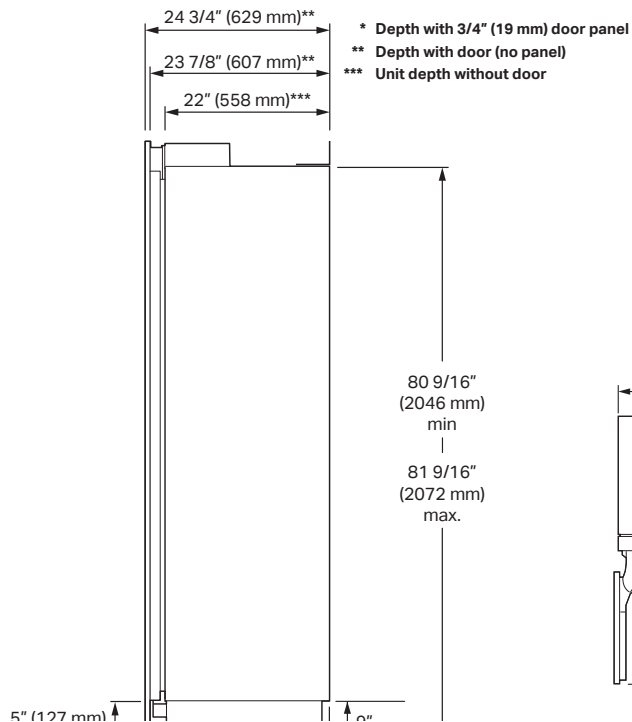


SKSCW181RP

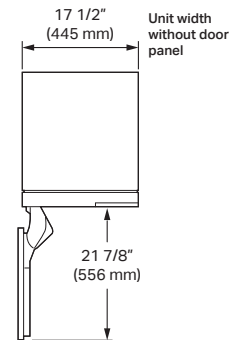
# 18" Integrated wine cellar



FRONT VIEW



SIDE VIEW



90° DOOR SWING

## SKSCW181RP

### Style

Door Style	Panel Ready
Hinges	Flat
Interior finish	Metal

### Energy Label

Energy Efficiency Class	G
Bottle Capacity (750 ml)	71
Maximum Sound Level	< 37 dbA Max
Yearly total energy consumption (kWh)	159
Climate class	SN-T

### General Properties

No-Frost	•
Inverter Linear Compressor	•
Wi-Fi-Enabled for SmartThinQ® Control with iOS/Android App	•
InstaView™ Window (Knock Twice to See Inside)	•
Wine Cave Technology™	•
Temperature Zones	2
Operating Temperatures	5°C to 18°C
Modes	Demo, Power On / Off, Temp Control, Smart Diagnosis, WI-FI
Humidity Control	•
High Altitude Compatibility	•
Anti-vibration motor	•
UV Protection	•
Storage Shelves	10
Shelf Material	Beech Wood with Metal Accents
Presenter Shelves	1
True-View® Lighting	•
Presenter Shelf Lighting	•

### Installation

Reversible Door	•
Four Point Front Adjustable with 8 Wheels	•
Attachment Method to Cabinetry	Top with No Visible Screws
Front Serviceable	•
Anti-tip Bracket Included	•

### Technical Specifications

Required Power Supply	230V, 50Hz
Power Cord Length	2197 mm (86.4")
Plug Type	3-Prong
Overall Width	444.5 mm (17.4")
Overall Height	2,121 mm ~ 2,146 mm (83.5" ~ 84.4")
Overall Depth	607 mm (23.8")
Net Weight	139 Kg
Shipping Weight	161 Kg

### Accessories

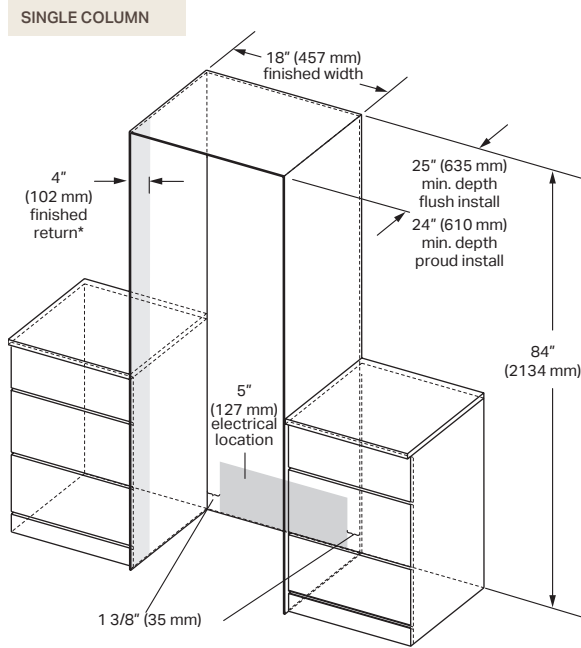
Stainless Steel Panel / Handle / Toekick Kit	SKSWK185RS (right hinge, left handle) SKSWK185LS (left hinge, right handle)
Joining Kit for Dual Installation	SKSFJ800P
Frame mounting Kit	SKSFK800CS
Medium brushed Aluminium Handle – 805 mm	SKSHK310HS
Long brushed Aluminium Handle – 1,218 mm	SKSHK480HS



Download  
the User's  
Manual

# SKSCW181RP

## Cutout dimensions – flush or proud installation



\* A minimum 4" (102 mm) finished return that matches the cabinet exterior is recommended on all sides and the top of the cutout opening. The shaded area will be visible after installation.

### Notes

The wine refrigerator can be installed flush or proud with 19 mm (3/4") custom panel or optional stainless steel panel kit.

**Flush** – With a 635 mm (25") cutout depth, the front face of the wine refrigerator fits flush with 635 mm (25") depth adjacent cabinets.

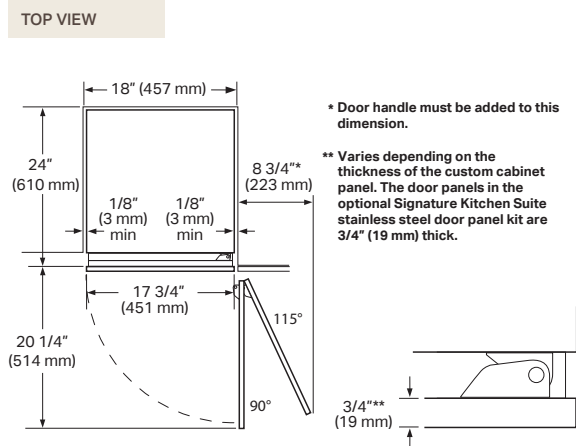
**Proud** – With a 610 mm (24") depth cutout, the front face of the wine refrigerator extends approximately 19 mm (3/4") beyond 610 mm (24") depth adjacent cabinets.

### Electrical

A 115 V, 60 Hz, 15 or 20 A power supply is required.

An individual properly grounded branch circuit or circuit breaker is recommended. Install a properly grounded 3-prong electrical receptacle recessed into the back wall. Electrical must be located on rear wall as shown.

## Installation clearances



\* Door handle must be added to this dimension.

\*\* Varies depending on the thickness of the custom cabinet panel. The door panels in the optional Signature Kitchen Suite stainless steel door panel kit are 3/4" (19 mm) thick.

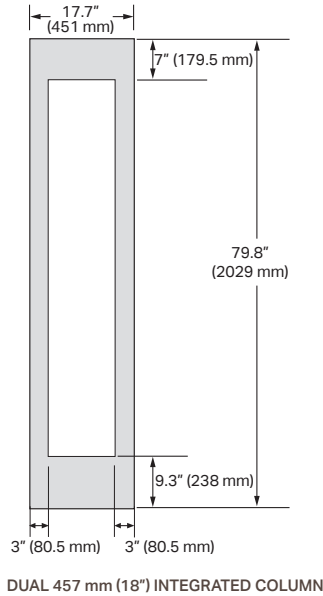
### Notes

**Door Swing Clearances** – the installation must allow for clearances to adjacent walls or cabinets. This freezer is equipped with a 2-position door stop. The factory-set 115° door swing can be adjusted to 90° if clearance to adjacent cabinets or walls is restricted.

**Door Handle Clearances** – the Door Handle depth must be added to the dimensions noted to determine the total clearances required from adjacent cabinets or walls. This clearance will vary depending on the custom handle used. When using the Stainless Steel Door Panel Kit w/ Handle or the Brushed Aluminium Handle (optional accessories), the door handle clearance with door open 115° is 279 mm (11").

## SKSCW181RP

### Custom panel dimensions – flush installation



#### Notes

These units are designed to be customized with decorative panels. Field-installed custom door panels or an optional Stainless Steel Panel Kit is required.

**For Custom Panels:** use templates provided with units to pre-drill holes for mounting panel brackets (provided with unit). Adjustment screws and instructions also provided with the product.

Maximum Total Door Panel Weights:  
610 mm (24") – 10 kg Integrated Column  
457 mm (18") – 9.5 kg Integrated Column

#### Design Tips

102 mm (4") will be visible on the interior sides of the furniture return. It is recommended that both sides of each cutout panel be finished to match the cabinet exterior. If using custom panels, a custom toe kick is required. The bottom of case is unfinished.

**Door Handles:** handles are not included with the product. Custom handles are required for installation. Brushed aluminium handles are available as an optional accessory.

### Optional accessories – flush or proud installation

#### Stainless Steel Panel Kit

**SKSWK185RS: right hinge** (Horizontal brushed hairlines for right hinge installation, opening from left to right)

**SKSWK185LS: right hinge** (horizontal brushed hairlines for right hinge installation, opening from left to right)

This unit can be installed with an optional Stainless Steel Panel Kit. Kit includes one door panel, one toe kick and one handle. Order right or left hinge option, depending on desired installation.

**SKSFK800CS: Frame mounting Kit** This unit can be installed in a 610 mm (24") deep cutout with an optional frame kit. This kit includes two 2,032 mm (80") brushed aluminium side trim pieces. Each trim piece is 127 mm (5") deep with a 3 mm (1/8") front face.

#### SKSHK310HS: Handles with Custom Panels M

805 mm (31 11/16") Medium handle – Brushed aluminium

#### SKSHK480HS: Handles with Custom Panels L

1,219 mm (48") Long handle – Brushed aluminium

**SKSFJ800P: Dual Installation (joining) Kit** – When this wine cellar column is installed with other column refrigerators or freezers, this kit is required for the installation.

#### Design Tips

The Stainless Steel Panel Kit may be used in a flush 635 mm (25") cutout depth installation or in a proud 610 mm (24") cutout depth installation.

For retrofit/replacement installations where the existing cutout is 610 (24") mm deep, the optional frame mounting kit is recommended.