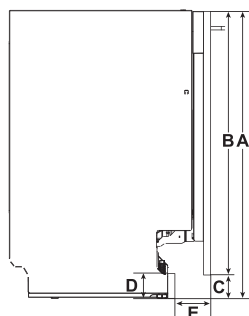
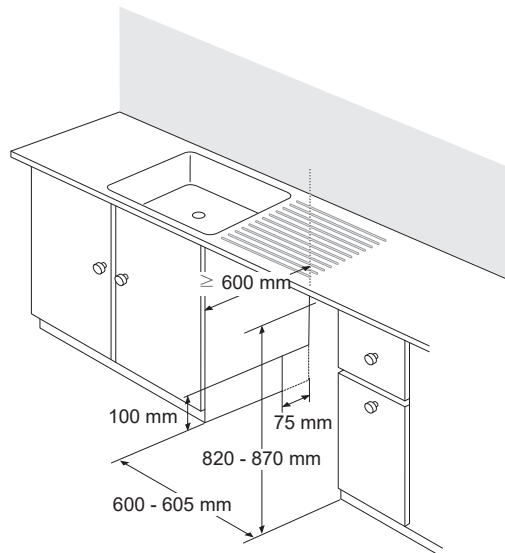


SKSDW2402P

Sliding hinge Dishwasher



Installation



<Max. dimension of 'B'>

C(mm)	90	100	110	120	130	140	150	160
A(mm)	720	710	700	690	680	670	660	650
811	X							
821	X	720	710	700	690	680	670	660
831	X	X	720	710	700	690	680	670
841	X	X	X	720	710	700	690	680
851	X	X	X	X	720	710	700	690
861	X	X	X	X	X	720	710	700

- D = C - 15mm
- E = 95 ~ 100mm

SKSDW2402P

General Properties

Covered	14
Inverter Direct Drive Motor	•
Wi-Fi-Enabled for SmartThinQ® Control with iOS/Android App	•
TrueSteam™	•
QuadWash™	•
Programmes	(10) Auto, Intensive, Delicate, Refresh, Eco, Turbo, Download Cycle, Machine Clean, Rinse, Express
Options	(8) Dual Zone, Half Load, Energy Saver, Steam, High Temp, Extra Dry, Delay Start, Control Lock
Aqua-Stop	•
Drying Type	Condensing / AOD
Vario Plus Washing System	•
Height Adjustable 3rd Rack	•
Auto Opening Door	•
Running Time Indicator	888
Salt Refill Indicator	•
Rinse Refill Indicator	•

Energy consumption and noise levels

Energy Efficiency Class	D
Eco Programme Sound Level	43 dBA
Water Consumption per cycle	9.5 L
Energy Consumption per cycle	0.849 kWh
Standard cycle time (ECO)	193 min.
Express Cycle Time	56 min.
Turbo Cycle Time	78 min.

Technical Specifications

Required Power Supply	220 ~ 240V, 50Hz
Dimensions (WxDxH)	598 x 554 x 815 mm
Height of niche	815 ~ 875 mm
Adjustable Leg	60 mm



Download
the User's
Manual