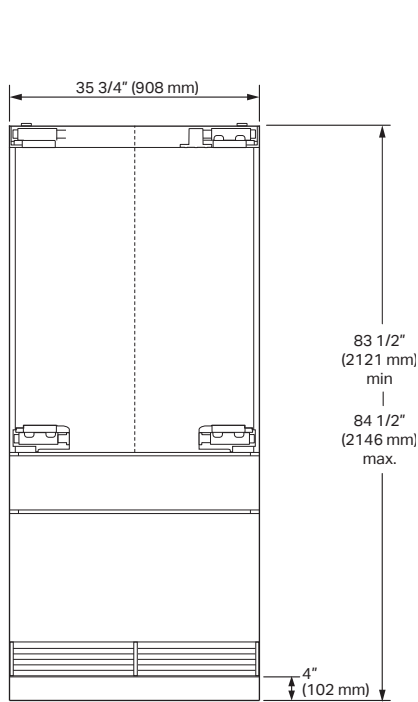
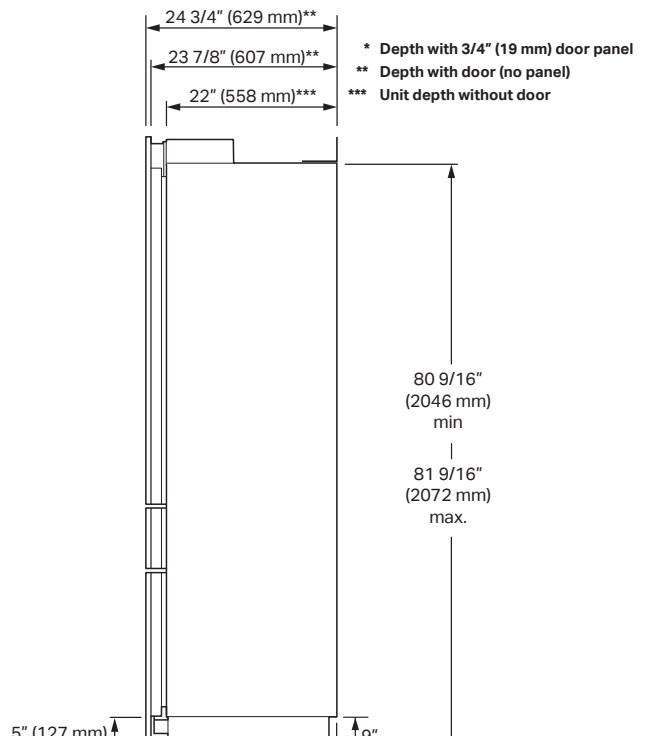


SKSFD3604P

36" Integrated refrigerator with French door



FRONT VIEW



SIDE VIEW

SKSFD3604P

Style

| | |
|-----------------|-------------|
| Door Style | Panel Ready |
| Hinges | Flat |
| Interior finish | Metal |

Energy Label

| | |
|---------------------------------------|--------------|
| Energy Efficiency Class | F |
| Net Total Capacity | 486 L |
| Net Refrigerator Capacity | 372 |
| Net Freezer Capacity | 114 |
| Maximum Sound Level | < 39 dbA Max |
| ENERGY STAR® Qualified | ● |
| Yearly total energy consumption (kWh) | 382 |
| Climate class | SN-T |
| Freezer class | **** |

General Properties

| | |
|--|---|
| No-Frost | ● |
| Inverter Linear Compressor | ● |
| 2 independent cooling systems | 2 compressors |
| Wi-Fi-Enabled for SmartThinQ® Control with iOS/Android App | ● |
| Automatic Adaptive Defrost | ● |
| Modes | Ice Plus, Demo, Icemaker On / Off, Power On / Off, Temp Control, Water Filter Reset, Smart Diagnosis, WI-FI |
| Speed Chill | ● |
| Integrated Water Dispenser | ● |
| Connection to the water supply | ● |
| Water Filter (6 Months) | ● |
| Full-Extension Freezer Storage Drawer | Soft close |
| Convertible Drawer Modes | Freezer: Meat and Seafood (-1°C), Cold Drinks (1°C), Fridge: Deli (3°C), Chilled Wine (5°C) |
| Convertible Drawer Dividers | 2 |
| Storage Shelves | 2 Cantilever Adjustable, 1 Fixed |
| Drawer design | 2 with telescopic guides and soft close |
| True-View® Lighting | ● |
| Aluminium Door Bins with Removable Inserts | 6 Cantilever |
| Removable ice bucket | 2 kg |
| Digital Controls w/ White LED Display | ● |
| Water Filter Indicator | ● |
| Ice Production (24 Hrs.) | 1.6 kg |
| Ice On / Off | ● |
| Operating Temperatures | Refrigerator: 0°C to 6°C / Upper drawer: Convertible w/ 5 Temps. / Freezer Drawer: -24°C to -16°C |

Installation

| | |
|---|----------------------------|
| Four Point Front Adjustable with 4 Wheels | ● |
| Attachment Method to Cabinetry | Top with No Visible Screws |
| Front Serviceable | ● |
| Anti-tip Bracket Included | ● |

Technical Specifications

| | |
|-----------------------|-------------------------------------|
| Required Power Supply | 230V, 50Hz |
| Power Cord Length | 2,200 mm (86.6") |
| Overall Width | 908 mm (35.7") |
| Overall Height | 2,121 mm ~ 2,146 mm (83.5" ~ 84.4") |
| Overall Depth | 607 mm (23.8") |
| Net Weight | 219 kg |
| Shipping Weight | 241 kg |

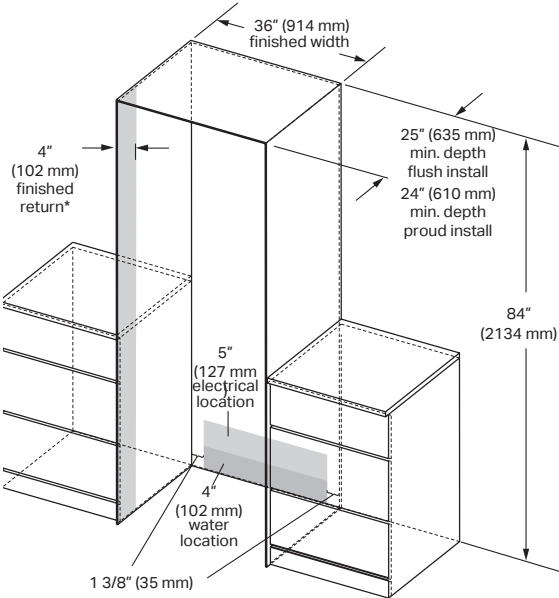
Accessories

| | |
|--|------------|
| Stainless Steel Panel / Handle / Toekick Kit | SKSPK360FS |
| Frame mounting Kit | SKSFK800CS |
| Medium brushed Aluminium Handle – 31 11/16" SKSHK310HS | SKSHK310HS |
| Replacement Water Filter | LT1000P-S |



Download
the User's
Manual

Cutout dimensions – flush or proud installation



* A minimum 4" (102 mm) finished return that matches the cabinet exterior is recommended on all sides and the top of the cutout opening. The shaded area will be visible after installation.

Notes

The refrigerator can be installed flush or proud with 19 mm (3/4") custom panel or optional stainless steel panel kit.

Flush – With a 635 mm (25") cutout depth, the front face of the refrigerator fits flush with 635 mm (25") depth adjacent cabinets.

Proud – With a 610 mm (24") depth cutout, the front face of the wine refrigerator extends approximately 19 mm (3/4") beyond 610 mm (24") depth adjacent cabinets.

Electrical

A 115 V, 60 Hz, 15 or 20 A power supply is required.

An individual properly grounded branch circuit or circuit breaker is recommended. Install a properly grounded 3-prong electrical receptacle recessed into the back wall. Electrical must be located on rear wall as shown.

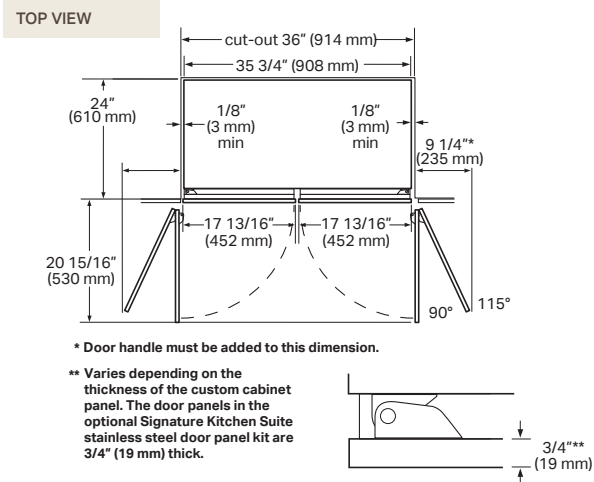
Water Line

A cold water supply is required for water dispenser operation.

Water pressure must be between 1.37 and 8.27 bar (20 and 120 p.s.i.).

Tubing should be long enough to extend to the front of the refrigerator. Allow enough tubing to accommodate a bend leading into the water line connection. Water line can go through an opening in the floor or back wall. Install a shut-off valve between the ice maker water valve and cold water supply in the home.

Installation clearances



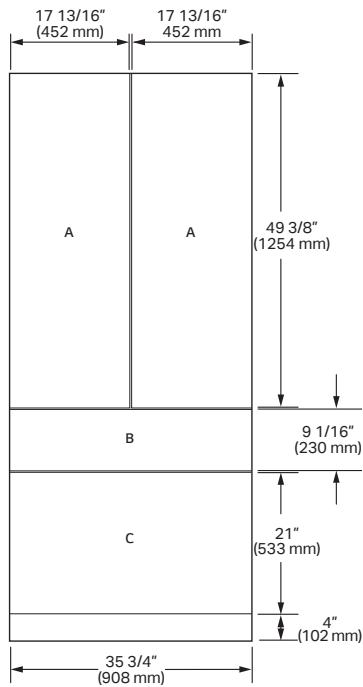
Notes

Door Swing Clearances – the installation must allow for clearances to adjacent walls or cabinets. This refrigerator is equipped with a 2-position door stop. The factory-set 115° door swing can be adjusted to 90° if clearance to adjacent cabinets or walls is restricted.

Door Handle Clearances – the Door Handle depth must be added to the dimensions noted to determine the total clearances required from adjacent cabinets or walls. This clearance will vary depending on the custom handle used. When using the Stainless Steel Door Panel Kit w/ Handle or the Brushed Aluminium Handle (optional accessories), the door handle clearance with door open 115° is 406 mm (16").

SKSFD3604P

Custom panel dimensions – flush installation



Notes

These units are designed to be customized with decorative panels. Field installed, custom door panels or with an optional Stainless Steel Panel Kit is required.

For Custom Panels: use templates provided with units to pre-drill holes for mounting panel brackets (provided with unit). Adjustment screws and instructions also provided with the product.

Maximum Panel Weight:

A – Fresh food door panels: 15 kg (33 lb)

B – Convertible drawer panel: 10 kg (22 lb)

C – Freezer drawer panel: 15 kg (33 lb)

Design Tips

102 mm (4") will be visible on the interior sides of the furniture return. It is recommended that both sides of each cutout panel be finished to match the cabinet exterior.

If using custom panels, a custom toe kick is required. The bottom of case is unfinished.

Door Handles: handles are not included with the product.

Custom handles are required for installation. Brushed aluminium handles are available as an optional accessory.

Optional accessories – flush or proud installation

SKSPK360FS: Stainless Steel Pane Kit This refrigerator can be installed with an optional stainless steel panel kit. Kit includes two fresh food door panels, one convertible drawer panel, one freezer drawer panel, one toe kick and four handles.

SKSFK800CS: Frame mounting Kit This unit can be installed in a 610 mm (24") deep cutout with an optional frame kit. This kit includes two 2,032 mm (80") brushed aluminium side trim pieces.

Each trim piece is 127 mm (5") deep with a 3 mm (1/8") front face.

SKSHK310HS: Handles with Custom Panels

805 mm (31 11/16") Medium handle – Brushed aluminium

Design Tips

The Stainless Steel Panel Kit may be used in a flush 635 mm (25") cutout depth installation or in a proud 610 mm (24") cutout depth installation.

For retrofit/replacement installations where the existing cutout is 610 (24") mm deep, the optional frame mounting kit is recommended.