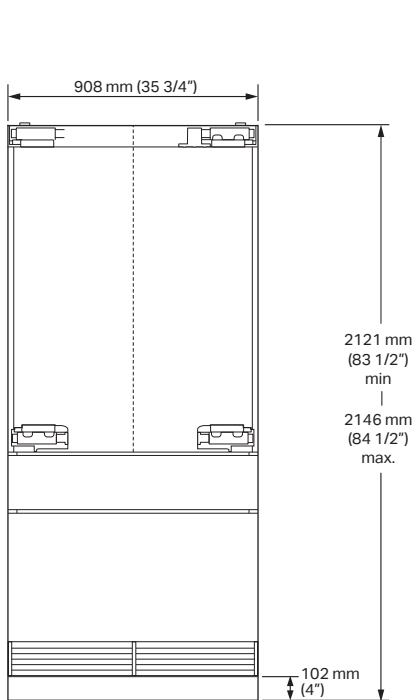
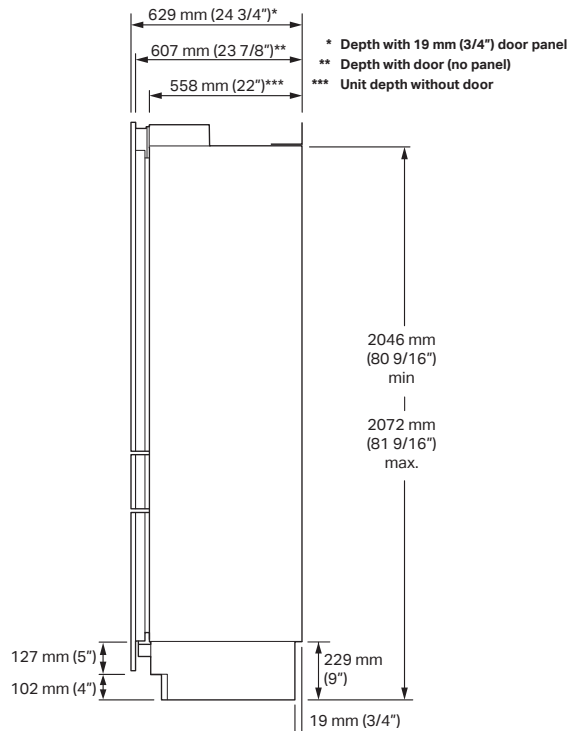


36" Integrated refrigerator with French door



FRONT VIEW



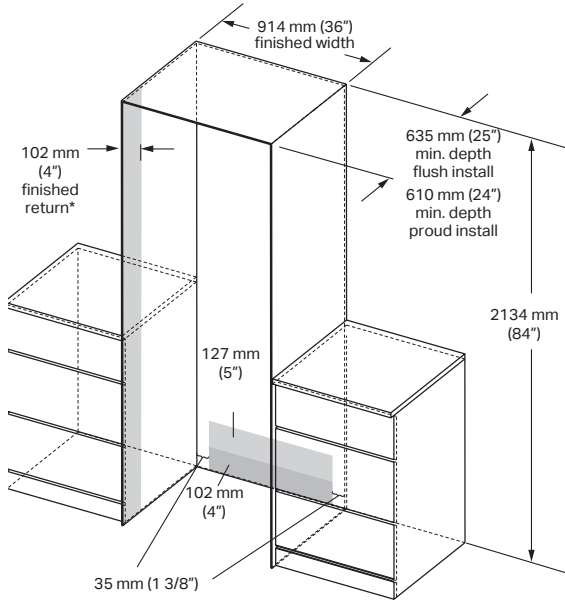
SIDE VIEW

SKSFD3614P

Style	EAN: 8806091454928
Door Style	Panel Ready
Hinges	Flat
Interior finish	Stainless Steel
Energy Label	
Energy Efficiency Class	F
Net Total Capacity	486 l
Net Refrigerator Capacity	372
Net Freezer Capacity	114
Maximum Sound Level	< 39 dbA Max
ENERGY STAR® Qualified	●
Yearly total energy consumption (kW/h)	382
Climate class	SN-T
Freezer class	****
General Properties	
No-Frost	●
Inverter Linear Compressor	●
2 independent cooling systems	2 compressors
Wi-Fi-Enabled for SmartThinQ® Control with iOS/Android App	●
Automatic Adaptive Defrost	●
Modes	Ice Plus, Demo, Icemaker On / Off, Power On / Off, Temp Control, Water Filter Reset, Smart Diagnosis, WI-FI
Speed Chill	●
Integrated Water Dispenser	●
Connection to the water supply	●
Water Filter (6 Months)	●
Full-Extension Freezer Storage Drawer	Soft close
Convertible Drawer Modes	Freezer, Refrigerator, Meat and Seafood (-1°C), Cold Drinks (1°C), Deli fridge (3°C), Chilled Wine (5°C)
Convertible Drawer Dividers	2
Storage Shelves	2 Cantilever Adjustable, 1 Fixed
Drawer design	2 with telescopic guides and soft close
True-View® Lighting	●
Aluminium Door Bins with Removable Inserts	6 Cantilever
Removable ice bucket capacity	2 kg
Digital Controls w/ White LED Display	●
Water Filter Indicator	●
Ice Production (24 Hrs.)	1.6 kg
Ice On / Off	●
Operating Temperatures	Refrigerator: 0°C to 6°C / Upper drawer: Convertible w/ 4 Temps. / Freezer Drawer: -24°C to -16°C
Installation	
Four Point Front Adjustable with 4 Wheels	●
Attachment Method to Cabinetry	Top with No Visible Screws
Front Serviceable	●
Anti-tip Bracket Included	●
Technical Specifications	
Required Power Supply	230V, 50Hz
Power Cord Length	2200 mm (86.6")
Overall Width	908 mm (35.7")
Overall Height	2,121 mm ~ 2,146 mm (83.5" ~ 84.4")
Overall Depth	607 mm (23.8")
Net Weight	219 kg
Shipping Weight	241 kg
Accessories	
Stainless Steel Panel / Handle / Toekick Kit	SKSPK360FS
Side wall cover kit in case of non-flush installation	SKSFK800CS
Medium brushed aluminium handle	SKSHK310HS

SKSFD3614P

Cutout dimensions – flush or proud installation



* A minimum 102 mm (4") finished return that matches the cabinet exterior is recommended on all sides and the top of the cutout opening. The shaded area will be visible after installation.

Installation Notes

The refrigerator can be installed flush or proud with 19 mm (3/4") custom panel or optional stainless steel panel kit.

Flush – With a 635 mm (25") cutout depth, the front face of the refrigerator fits flush with 635 mm (25") depth adjacent cabinets.

Proud – With a 610 mm (24") depth cutout, the front face of the wine refrigerator extends approximately 19 mm (3/4") beyond 610 mm (24") depth adjacent cabinets.

In case of non-flush installation, we recommend using the SKSFK800CS accessory, which consists of side panels that cover any visible side parts of the appliance.

Electrical

230 V, 50 Hz, 15 or 20 A power supply required.

An individual properly grounded branch circuit or circuit breaker is recommended. Install a properly grounded 3-prong electrical receptacle recessed into the back wall. Electrical must be located on rear wall as shown.

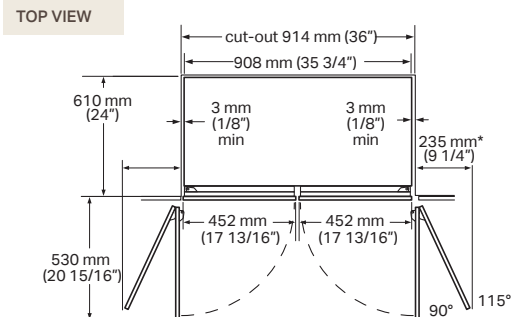
Water connection

A cold water supply is required for water dispenser operation.

Water pressure must be between 1.37 and 8.27 bar (20 and 120 p.s.i.).

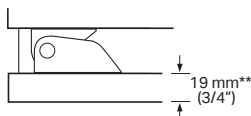
Tubing should be long enough to extend to the front of the refrigerator. Allow enough tubing to accommodate a bend leading into the water line connection. Water line can go through an opening in the floor or back wall. Install a shut-off valve between the ice maker water valve and cold water supply in the home.

Installation clearances



* Door handle must be added to this dimension.

** Varies depending on the thickness of the custom cabinet panel. The door panels in the optional Signature Kitchen Suite stainless steel door panel kit are 19 mm (3/4") thick.



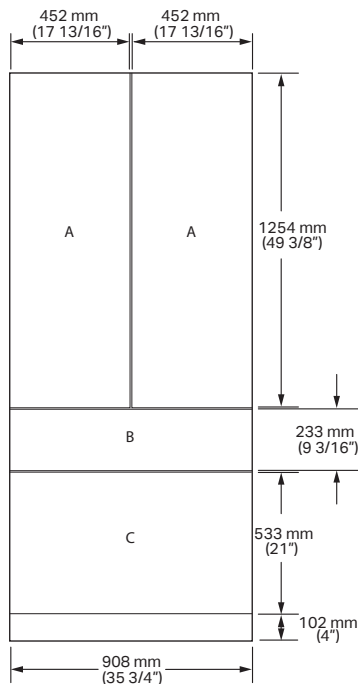
Notes

Door Swing Clearances – the installation must allow for clearances to adjacent walls or cabinets. This refrigerator is equipped with a 2-position door stop. The factory-set 115° door swing can be adjusted to 90° if clearance to adjacent cabinets or walls is restricted.

Door Handle Clearances – the Door Handle depth must be added to the dimensions noted to determine the total clearances required from adjacent cabinets or walls. This clearance will vary depending on the custom handle used. When using the Stainless Steel Door Panel Kit w/ Handle or the Brushed Aluminium Handle (optional accessories), the door handle clearance with door open 115° is 305 mm (12").

SKSFD3614P

Custom panel dimensions – flush installation



Panel options

Custom – The appliance is designed to be customised with panels in line with the aesthetics of the kitchen cabinets. In this case, it is possible to purchase just the Signature Kitchen Suite handle as an accessory, available in medium and long.

Signature Kitchen Suite Panels – The appliance door can be also panelled with the Signature Kitchen Suite stainless steel door kit. In this case, panels are delivered with the Signature Kitchen Suite handles already mounted. In case of custom panels, use the templates provided with the appliance to pre-drill holes for mounting the panel brackets (provided with unit).

Adjustment screws and instructions also provided with the product.

During mounting, the panels can be adjusted in all four directions: up/down - left/right.

If the door is being reversed, we recommend mounting the panel after reversing the opening hinge.

Maximum total door panel weight:

A – Fresh food door panels: 15 kg (33 lb)

B – Convertible drawer panel: 10 kg (22 lb)

B – Freezer drawer panel: 15 kg (33 lb)

Design Tips

If using custom panels, a custom toe kick is required. The bottom of case is unfinished.

Door Handles: handles are not included with the product. Custom handles are required for installation. Brushed aluminium handles are available as an optional accessory and they can be mounted also on custom panels.

Optional accessories – flush or proud installation

SKSPK360FS: Stainless steel panel kit

The appliance can be panelled with the optional Signature Kitchen Suite stainless steel door kit. Kit includes two fresh food door panels, one convertible drawer panel, one freezer drawer panel, one toe kick and four handles.

SKSFK800CS: Side wall cover kit

SKSHK310HS: Medium handles for custom panels

805 mm (31 11/16") Medium handle – Shiny brushed aluminium

Design Tips

For retrofit/replacement installations where the existing cutout is 610 (24") mm deep, the optional side wall cover kit is recommended.