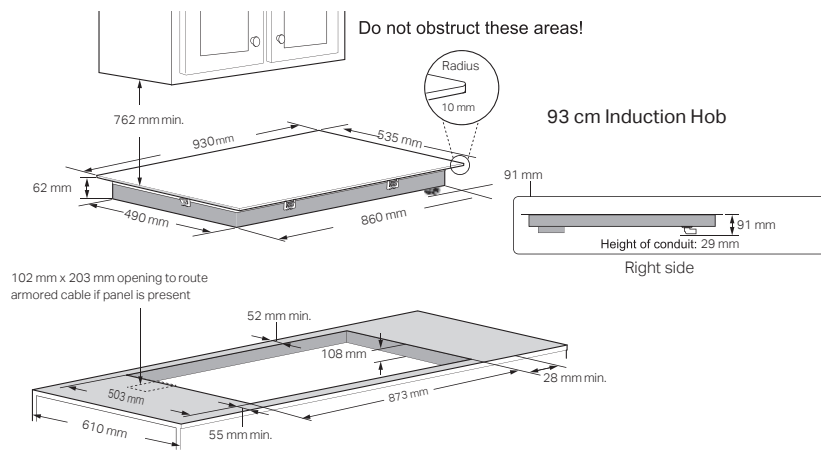


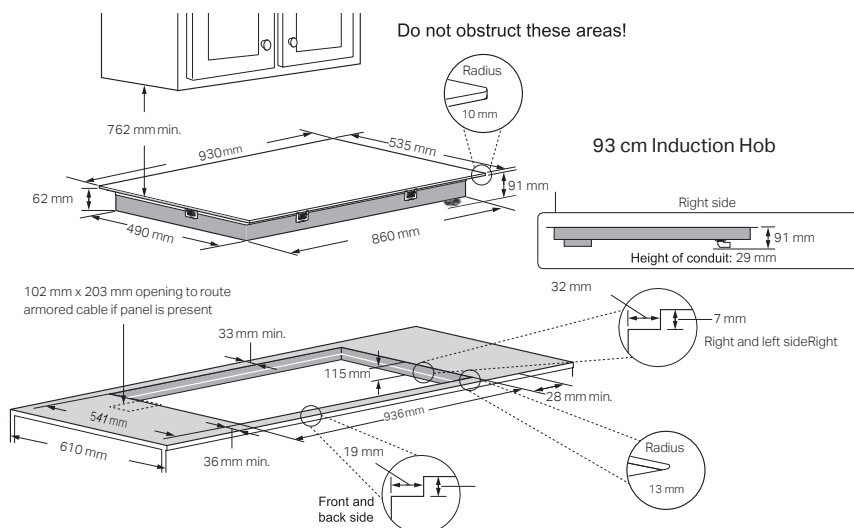
# Flexinduction hob



## Cutout dimensions - standard installation



## Cutout dimensions – flush installation



## SKSIT3601G

### Style

Installation	Standard / flush
Material	Ceramic glass dark grey finish

### General Properties

Controls	7" TFT LCD
Logo Print	Soft Printing under glass
Wi-Fi-Enabled for SmartThinQ® Control with iOS/Android App	●
Cooking indicator light (red)	●
Simmer	●
Melt	●
Turbo	●
Number of power levels	17
Cleaning lock	●
Display brightness	5 Level
Clock	●
Automatic detection of pots and pans	●
Timer	●

### Cooking zones

Power of Flex Zone Right & Left Front	1.700 W
Power of Flex Zone Right & Left Front (Turbo mode)	3.400 W
Power of Flex Zone Right & Left Rear	1.700 W
Power of Flex Zone Right & Left Rear (Turbo mode)	3.400 W
Power of Full Flex Zone Right & Left	3.300 W
Power of Full Flex Zone Right & Left (Turbo mode)	3.650 W
Power of Dual Zone Center	3.400 W
Power of Dual Zone Center (Turbo mode)	6.800 W
Dimensions of Flex Zone Right Front	21,5 x 18,0 cm
Dimensions of Flex Zone Left Front	21,5 x 18,0 cm
Dimensions of Flex Zone Right Rear	21,5 x 18,0 cm
Dimensions of Flex Zone Left Rear	21,5 x 18,0 cm
Dimensions of Full Flex Zone Right & Left	21,5 x 36,0 cm
Dimensions of Dual Zone Center	ø 28,0 cm

### Energy Consumption

Energy Consumption of Flex Zone Left Front	171,3 Wh/kg
Energy Consumption of Flex Zone Right Front	173,8 Wh/kg
Energy Consumption of Flex Zone Left Rear	169,3 Wh/kg
Energy Consumption of Flex Zone Right Rear	174,0 Wh/kg
Energy Consumption of Dual Zone Center	163,2 Wh/kg
Energy Consumption of the hob calculated per kg	170,3 Wh/kg

### Technical Specifications

Type of hob	Built-in hob
Heating technology	Induction cooking zones and cooking areas
Number of cooking zones and/or areas	5
Power consumption	10.200 W
Circuit Breaker	50 A
Required Power Supply	230 V~, 50 Hz
Plug Type	No Plug
Power Cord	1630 mm Flexible 3-Wire in Conduit
Power	Electric
Dimensions of entire appliance (H x W x D)	91 x 930 x 535 mm
Required Cutout Size (H x W x D)	146 x 873 x 503 mm
Minimum Distance From Counter Front	55 mm
Minimum Distance From Rear Wall	52 mm
Net Weight	22,9 kg
Shipping Weight	26,6 kg
Consumption in Standby mode	0,5 W



Download  
the User's  
Manual