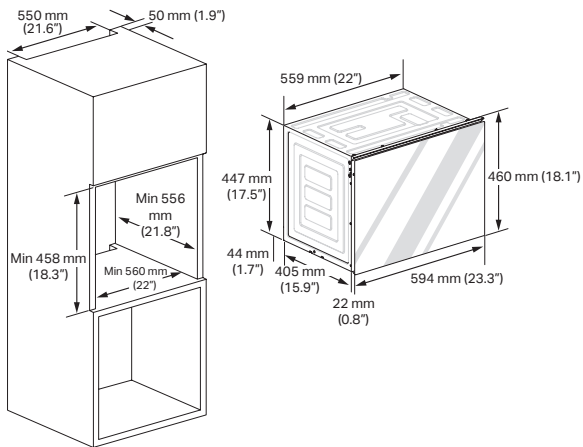


SKSLV2401S

True to food oven



Installation without a warming drawer



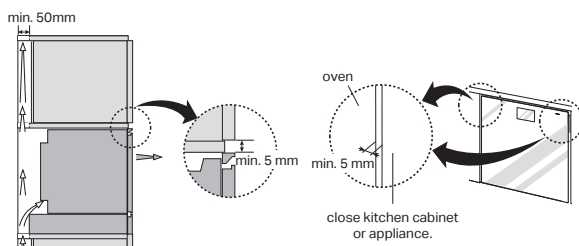
Installation in a high cabinet

There must be a gap of minimum 10 mm (0.4") between the rear of the installed oven and the connecting wall. Kitchen cabinet in contact with the oven must be heat resistant up to 90 °C, and close units fronts up to at least 70 °C.

Notes

Remove the back wall of the installation cabinet. If it is difficult to remove the back wall, make a hole at least 100 mm (3.94") in diameter.

Ventilation



Notes

For correct ventilation, the ventilation opening of 5 mm (1.97") should be required between the back wall and the floor of the installation cabinet, the ventilation gap of 5 mm (1.97") is required between the oven top rim and the furniture lower rim, and between the oven both sides rim and the cabinet. These openings must not be closed in any way. So ensure that the sides are not touching the front edges of the housing. Connect the oven to the power supply.

SKSLV2401S

General Properties

Interior coating	Steel
Display	7" Colour TFT LCD
Wi-Fi-Enabled for SmartThinQ® Control with iOS/Android App	●
Cook Mode	Microwave, Hot air, Static, Roasting, Auto Roast, Pizza, Grill, Crispy Grill, Defrost, Bottom Heat, Steam-assist
Microwave combination cook mode	Hot air, Roasting, Auto Roast, Grill, Steam assist
"Gourmet Chef" automatic programmes	30
Automatic opening handleless door	●
Soft Open	●
Motion Sensor	●
Mood light (red)	●
Microwave Inverter	●
Microwave cooking power	1,000 W
External steam generation	●
Descaling	●
Drying	●
Water tank capacity	1 l
LED Interior Lighting	●
Speed clean	●
Door Material	Smog Glass
Accessories included	Metal pan/Perforated pan/Rack

Technical Specifications

Oven Cavity Size	32 L
Power consumption kW	3.15
Circuit Breaker 20 A	16 A
Required Power Supply	230V, 50Hz
Plug Type	F Type
Power	Electric
Net Weight	32 kg



Download
the User's
Manual