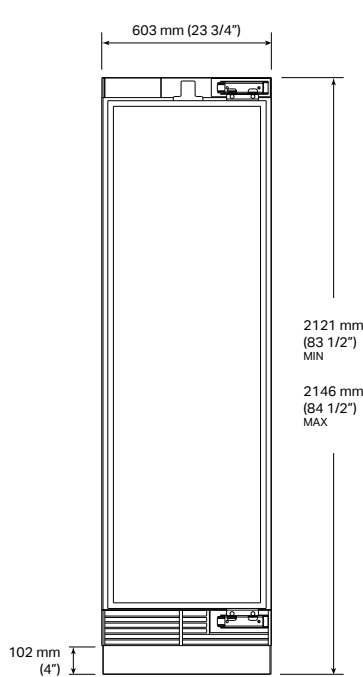
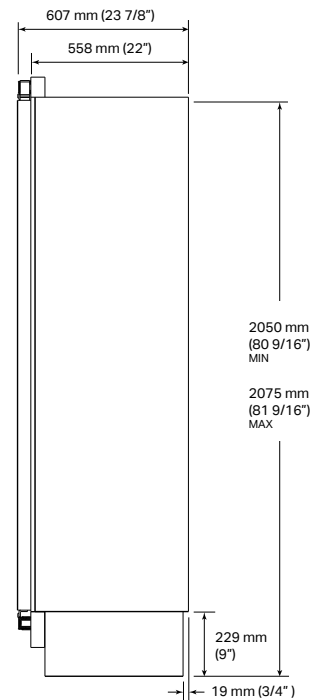


SKSCF2411P

Integrated column freezer 24"



FRONT VIEW



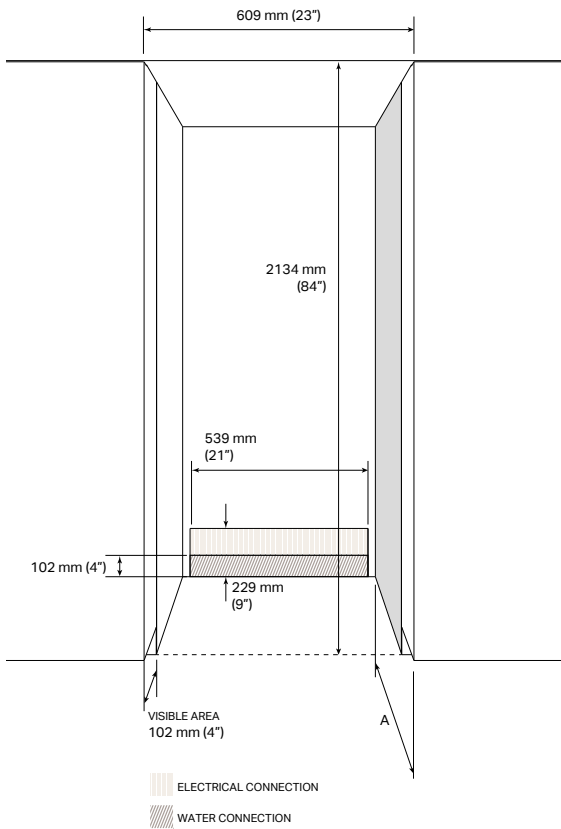
SIDE VIEW

SKSCF2411P

Model	EAN: 8806091454959
Door type	Panel ready
Hinges	Plat
Internal finish	Stainless steel
Energy Label	
Energy efficiency class	F
Net total capacity	396 L
Maximum sound level	< 39 dbA Max
ENERGY STAR® Qualified	●
Yearly total energy consumption (kW/h)	379
Climate class	SN-T
Classification	****
General Properties	
No-Frost	●
Inverter Linear compressor	●
Wi-Fi enabled for SmartThinQ® control with iOS/Android app	●
Automatic Adaptive Defrost	●
Functions that can be enabled from the control panel	Water Filter, Ice Plus, Ice On/Off, Door Alarm, Wi-Fi, Power On/Off, Demo, Smart Diagnosis™, Temp control
Speed Freeze	●
Connection to the water supply	●
Water Filter (6 Months)	●
Storage shelves	3 adjustable and removable
True-View® Lighting	●
Lift and Go™ ice drawer	1 with telescopic guides and soft closing
Lift and Go™ storage drawers	2 with telescopic guides and soft closing
Aluminium door bins with removable inserts	4 cantilever
Removable ice bucket capacity	2.3 kg
Digital Controls w/ White LED Display	●
Water Filter Indicator	●
Ice production (24 Hours)	1.6 kg
Ice On / Off	●
Operating temperatures	from -24°C to -16°C
Installation	
Reversible Door	●
Four point front adjustable with 6 wheels	●
Attachment method to cabinetry	Top with no visible screws
Front Serviceable	●
Anti-tip Bracket Included	●
Unification Kit Included (SKSFJ800P)	●
Technical Specifications	
Required power supply	230 V, 50 Hz
Power cord length	2200 mm (86.6")
Overall width	603 mm (23 3/4")
Overall height	2121 mm (83 1/2") MIN ~ 2146 mm (84 1/2") MAX
Overall depth	607 mm (23 7/8")
Net weight	159 kg
Shipping weight	180 kg
Max packaged product dimensions	2290x663x678 mm (90"x25"x26")
Accessories	
Stainless steel panel / handle / toe kick kit	SKSPK245CS
Side wall cover kit in case of non-flush installation	SKSFK800CS
Joining kit for dual installation	SKSFJ800P
Medium brushed Aluminium Handle – 805 mm	SKSHK310HS
Long brushed Aluminium Handle – 1,218 mm	SKSHK480HS
Replacement water filter	LT1000P-S

SKSCF2411P

Installation Notes



Electrical

230V, 50Hz, 15 or 20° power supply required. It is recommended to set up a three-prong receptacle recessed into the wall and properly earthed, equipped with an individual circuit.

Water connection

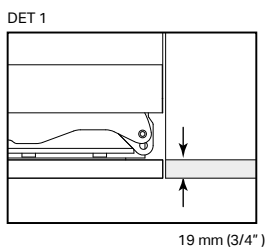
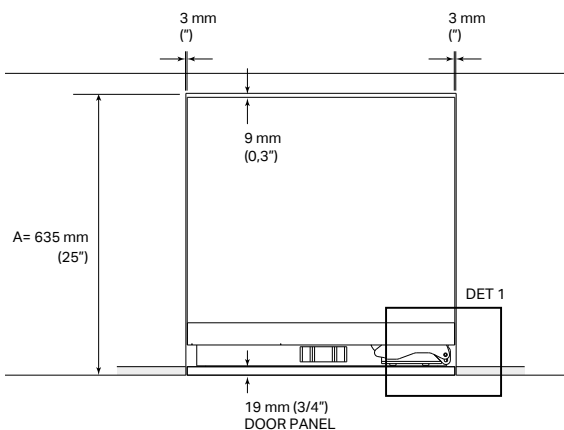
A connection to the water mains with a pressure between 1.37 and 8.27 bar (20 and 120 psi) is required. It is recommended to provide a specific cock for closing the circuit, not to be installed directly behind the product for easier accessibility and a pipe (Max Ø 9.5 mm) with a suitable length to reach the front of the freezer of approximately 355 mm, with respect to the front of the kitchen doors. A maximum space of 40 mm from the bottom of the recess is available for the water connection.

Visible area

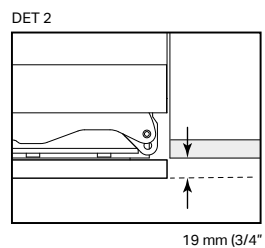
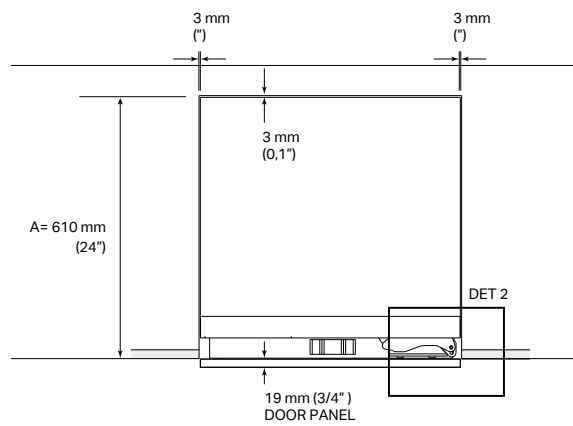
The indicated area (102 mm) is visible once the refrigerator doors are opened, this area should be finished on both sides.

In case of non-flush installation, we recommend using the **SKSFK800CS** accessory, which consists of side panels that cover any visible side parts of the appliance.

Flush or extended installation



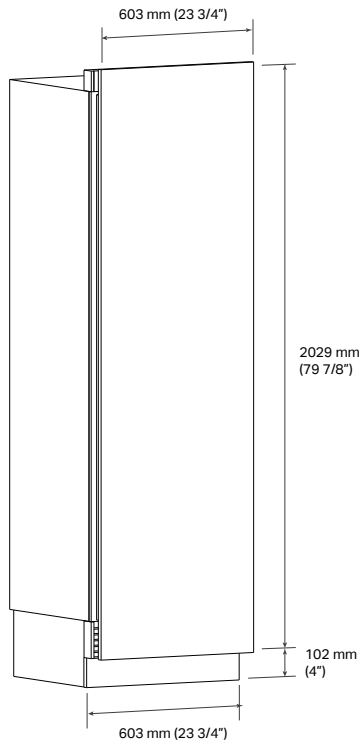
TOP VIEW
FLUSH INSTALLATION



TOP VIEW
EXTENDED INSTALLATION

SKSCF2411P

Custom panels



Panel options

SKSPK245CS : Stainless steel panel kit

The appliance can be panelled with the optional Signature Kitchen Suite stainless steel door kit. The kit includes one door panel, one toe kick and one Long handle.

This kit is reversible and can be used in both Right Hand and Left Hand door swing installations.

Custom Panels

The appliance is designed to be customised with panels in line with the kitchen cabinet aesthetics. For the dimensions of custom panels, refer to the diagram and the indications below:

Door panel: 2029 mm x 60 mm

Maximum panel weight permitted: 24 kg

Toe kick: 102 mm x 603 mm

The Signature Kitchen Suite handles, in brushed aluminium, in the medium or long version, can be purchased separately as an accessory.

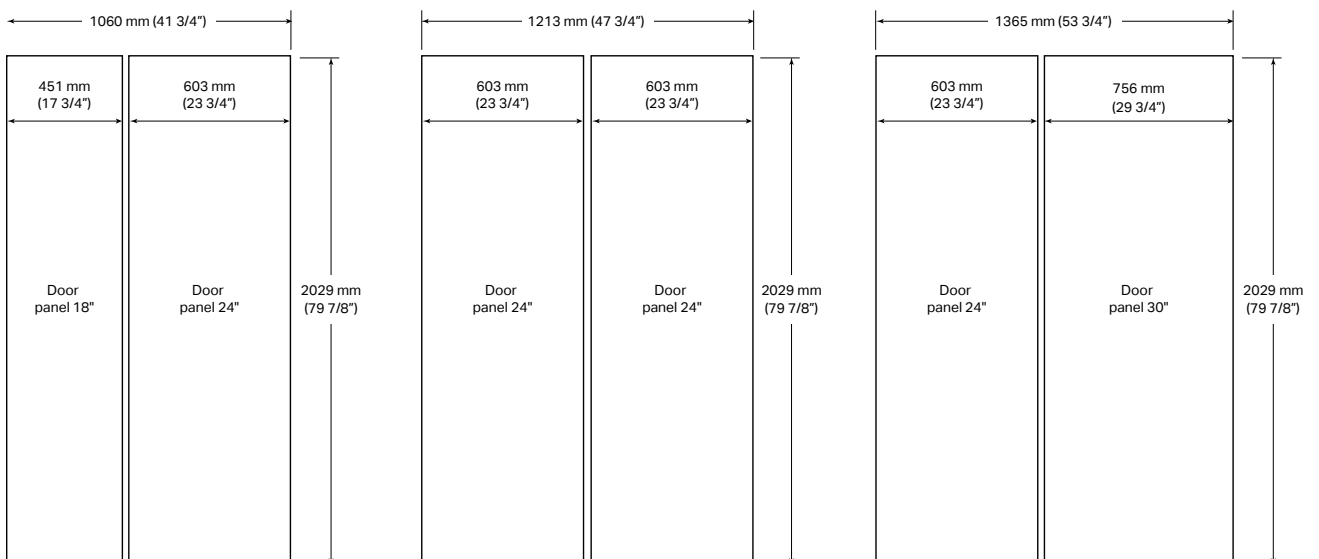
SKSHK310HS: Medium handles for custom panels

805 mm (31 11/16") Medium handle – Brushed aluminium

SKSHK480HS: Long handles for custom panels

1219 mm (48") Long handle – Shiny brushed aluminium

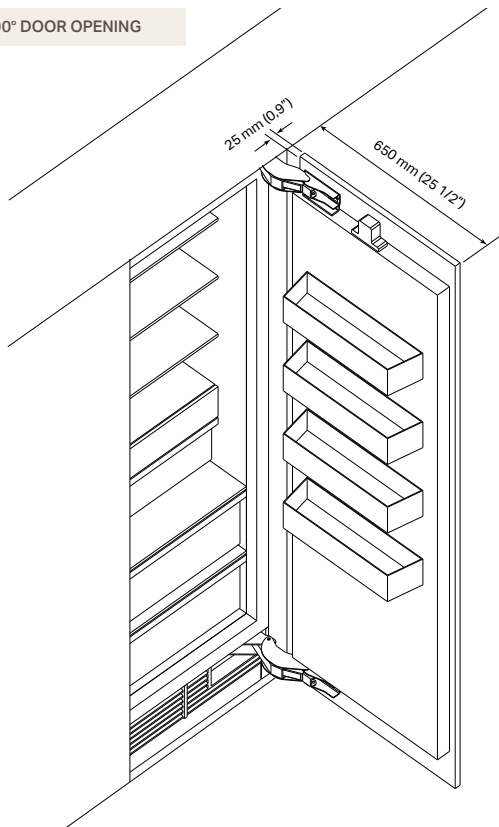
Custom panel dimensions



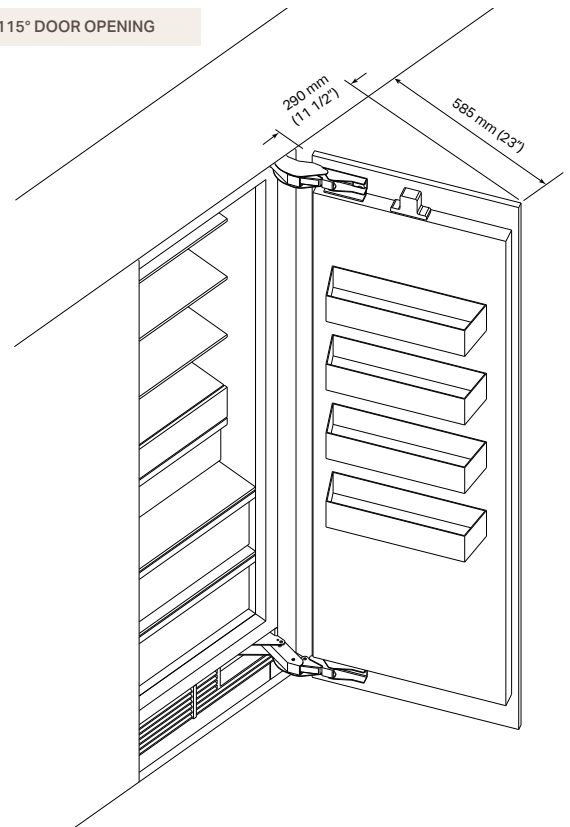
SKSCF2411P

Installation Notes

90° DOOR OPENING



115° DOOR OPENING



Door clearances with flush installation

The installation must allow for clearances to adjacent walls or cabinets. The factory-set door opening is 115° and can subsequently be adjusted to 90° provided the clearances for opening at 115° are not sufficient.

ATTENTION

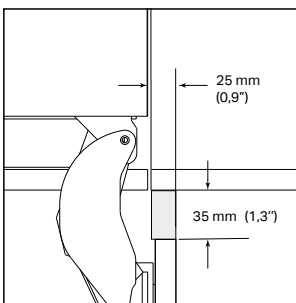
The clearance dimensions highlighted in the diagrams DO NOT include the depth of the handles, which must be added to these dimensions in case of a custom extended handle.

When using the Signature Kitchen Suite with brushed aluminium handles, the side clearances change as shown:

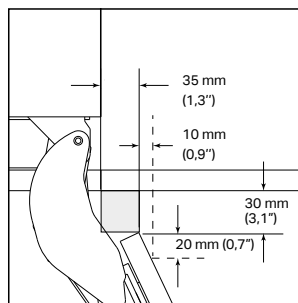
90° door
Side clearance from 25 mm to 95 mm

115° door
Side clearance from 290 mm to 360 mm

90° DOOR OPENING



115° DOOR OPENING



Useful spaces for placing the handle on adjacent cabinets

In case of installation with door opening at 90° for potential placement of an extended handle on the side next to the refrigerator, a handle with a maximum height of 35 mm with respect to the external edge of the panel can be applied for the first 25 mm.

In case of installation with door opening at 115° for potential placement of an extended handle on the side next to the Column freezer 24", a handle with a maximum height of 30 mm with respect to the external edge of the panel can be applied for the first 35 mm.

A handle can be applied with a 20 mm increment in length for every additional 10 mm increment in distance from the flush cabinet.