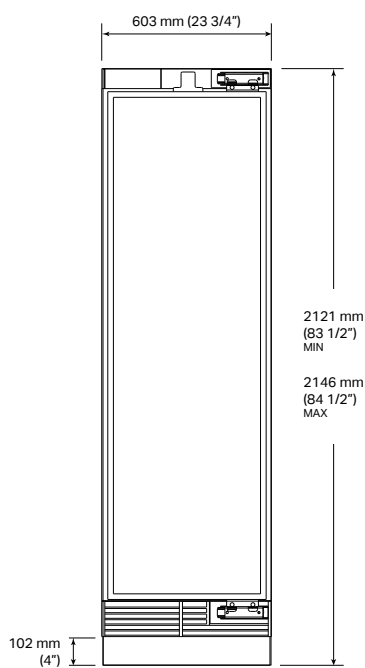
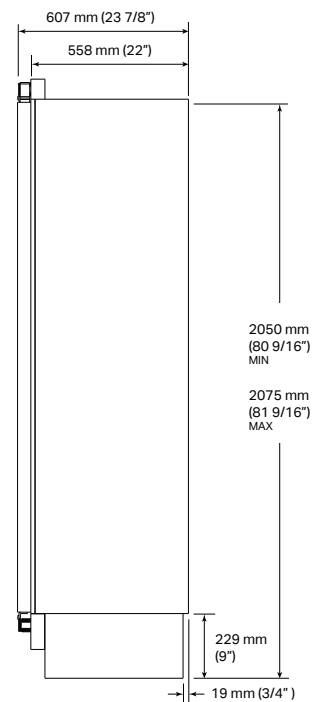


SKSCR2411P

# Integrated column refrigerator 24"



FRONT VIEW



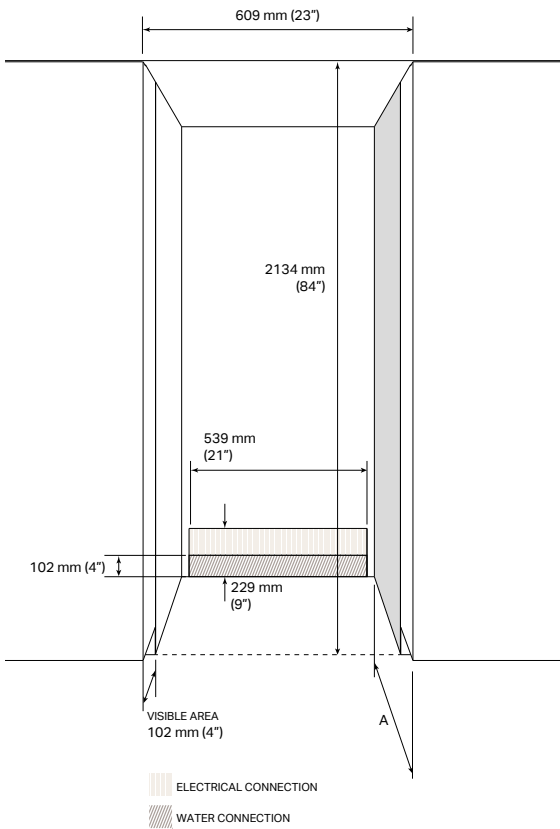
SIDE VIEW

## SKSCR2411P

<b>Model</b>	EAN: 8806091454966
<b>Door type</b>	Panel ready
<b>Hinges</b>	Plat
<b>Internal finish</b>	Stainless steel
<b>Energy Label</b>	
<b>Energy efficiency class</b>	E
<b>Net total capacity</b>	397 L
<b>Maximum sound level</b>	< 39 dbA Max
<b>ENERGY STAR® Qualified</b>	●
<b>Yearly total energy consumption (kWh)</b>	123
<b>Climate class</b>	SN-T
<b>General Properties</b>	
<b>No-Frost</b>	●
<b>Inverter Linear compressor</b>	●
<b>Wi-Fi enabled for SmartThinQ® control with iOS/Android app</b>	●
<b>Automatic Adaptive Defrost</b>	●
<b>Functions that can be enabled from the control panel</b>	Water Filter, Door Alarm, Wi-Fi, Power On/Off, Demo, Smart Diagnosis™, Temp control
<b>Speed Chill</b>	●
<b>Integrated Water Dispenser</b>	●
<b>Connection to the water supply</b>	●
<b>Water Filter (6 Months)</b>	●
<b>Storage shelves</b>	3 adjustable and removable
<b>True-View® Lighting</b>	●
<b>Drawer design</b>	3 with telescopic guides and soft closing
<b>Removable door inserts</b>	4
<b>Digital Controls w/ White LED Display</b>	●
<b>Water Filter Indicator</b>	●
<b>Operating temperatures</b>	from 0°C to 6°C
<b>Installation</b>	
<b>Reversible Door</b>	●
<b>Four point front adjustable with 6 wheels</b>	●
<b>Attachment method to cabinetry</b>	Top with no visible screws
<b>Front Serviceable</b>	●
<b>Anti-tip Bracket Included</b>	●
<b>Technical Specifications</b>	
<b>Required power supply</b>	230 V, 50 Hz
<b>Power cord length</b>	2200 mm (86.6")
<b>Overall width</b>	603 mm (23 3/4")
<b>Overall height</b>	2121 mm (83 1/2") MIN ~ 2146 mm (84 1/2") MAX
<b>Overall depth</b>	607 mm (23 7/8")
<b>Net weight</b>	160 kg
<b>Shipping weight</b>	180 kg
<b>Max packaged product dimensions</b>	2290x663x678 mm (90"x25"x26")
<b>Accessories</b>	
<b>Stainless steel panel / handle / toe kick kit</b>	SKSPK245CS
<b>Side wall cover kit in case of non-flush installation</b>	SKSFK800CS
<b>Joining kit for dual installation</b>	SKSFJ800P
<b>Medium brushed Aluminium Handle – 805 mm</b>	SKSHK310HS
<b>Long brushed Aluminium Handle – 1,218 mm</b>	SKSHK480HS
<b>Replacement water filter</b>	LT1000P-S

# SKSCR2411P

## Installation Notes



### Electrical

230V, 50Hz, 15 or 20° power supply required.

It is recommended to set up a three-prong receptacle recessed into the wall and properly earthed, equipped with an individual circuit.

### Water connection

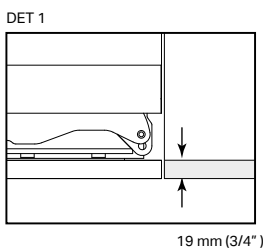
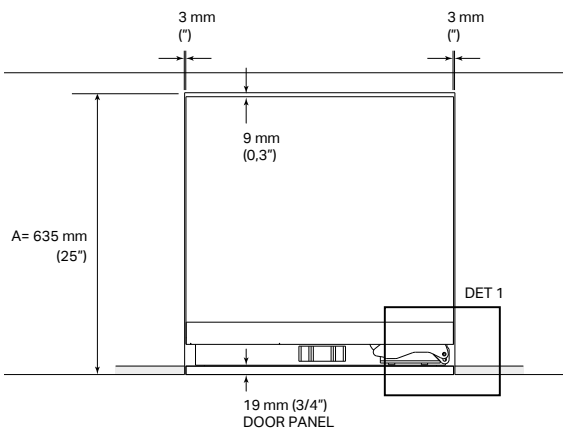
A connection to the water mains with a pressure between 1.37 and 8.27 bar (20 and 120 psi) is required. It is recommended to provide a specific cock for closing the circuit, not to be installed directly behind the product for easier accessibility and a pipe (Max Ø 9.5 mm) with a suitable length to reach the front of the refrigerator of approximately 355 mm, with respect to the front of the kitchen doors. A maximum space of 40 mm from the bottom of the recess is available for the water connection.

### Visible area

The indicated area (102 mm) is visible once the refrigerator doors are opened, this area should be finished on both sides.

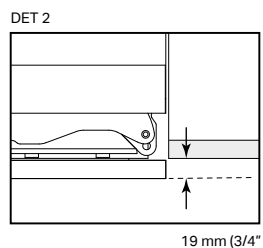
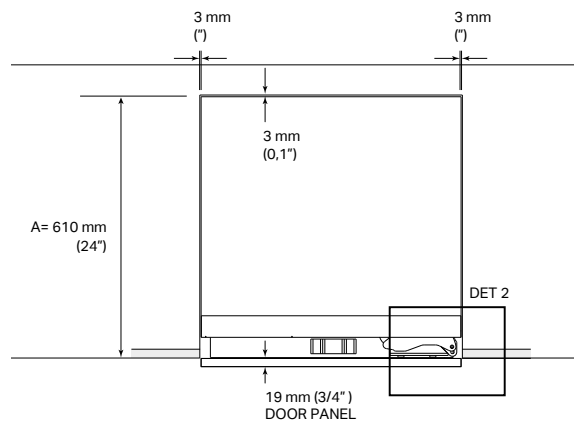
In case of non-flush installation, we recommend using the **SKSFK800CS** accessory, which consists of side panels that cover any visible side parts of the appliance.

## Flush or extended installation



TOP VIEW

FLUSH INSTALLATION

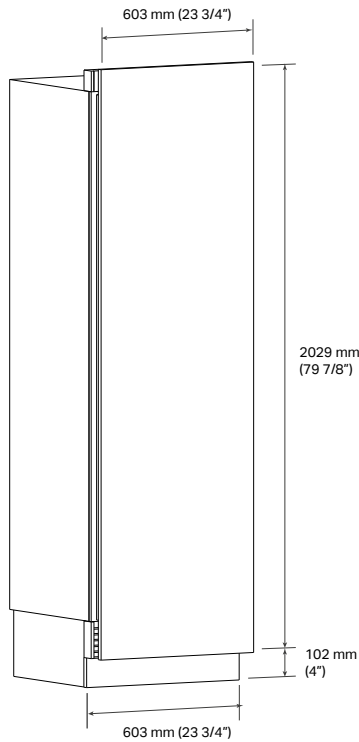


TOP VIEW

EXTENDED INSTALLATION

# SKSCR2411P

## Custom panels



### Panel options

#### SKSPK245CS: Stainless steel panel kit

The appliance can be panelled with the optional Signature Kitchen Suite stainless steel door kit. The kit includes one door panel, one toe kick and one Long handle.

This kit is reversible and can be used in both Right Hand and Left Hand door swing installations.

### Custom Panels

The appliance is designed to be customised with panels in line with the kitchen cabinet aesthetics. For the dimensions of custom panels, refer to the diagram and the indications below:

Door panel: 2029 mm x 603 mm

Maximum panel weight permitted: 24 kg

Toe kick: 102 mm x 603 mm

The Signature Kitchen Suite handles, in brushed aluminium, in the medium or long version, can be purchased separately as an accessory.

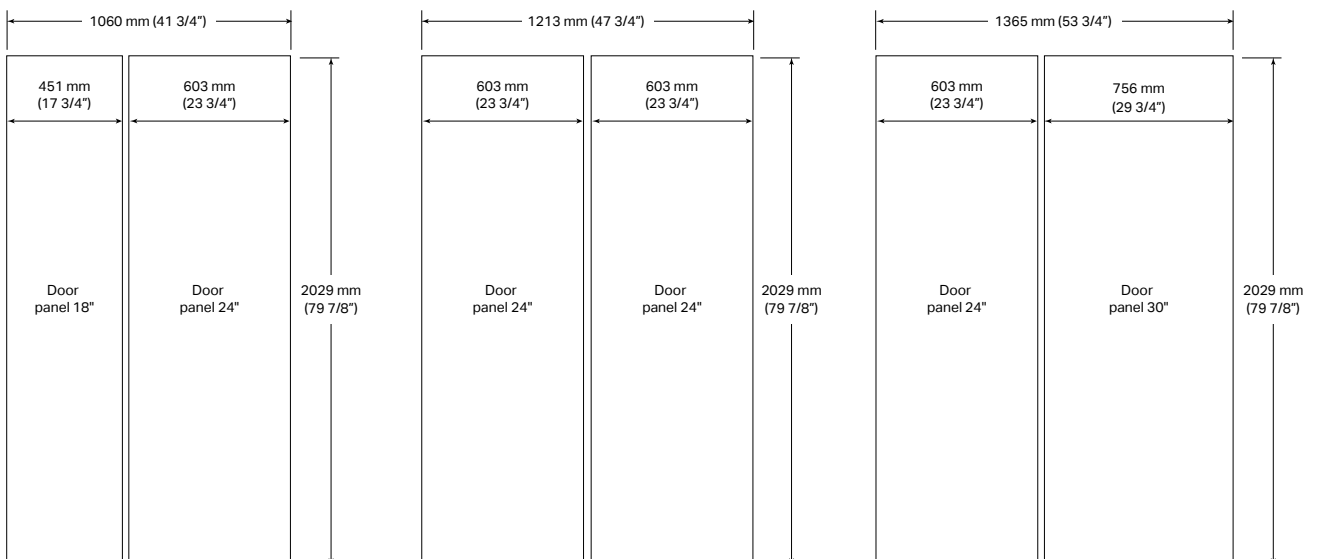
#### SKSHK310HS: Medium handles for custom panels

805 mm (31 11/16") Medium handle – Brushed aluminium

#### SKSHK480HS: Long handles for custom panels

1219 mm (48") Long handle – Shiny brushed aluminium

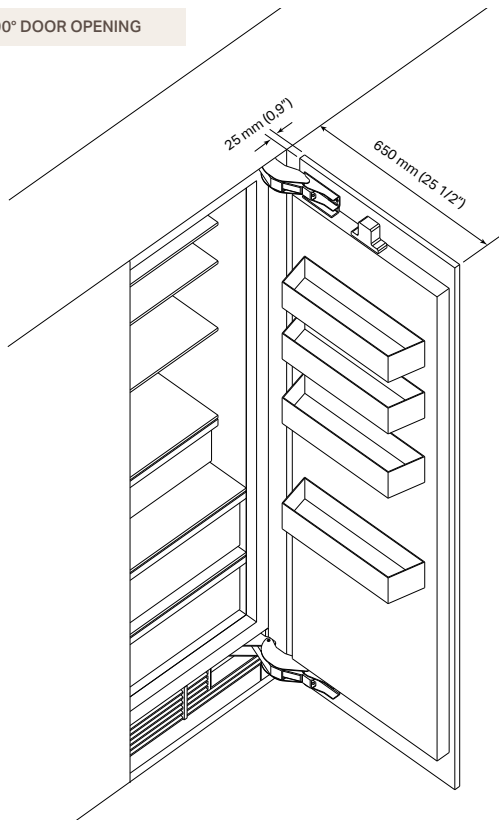
## Custom panel dimensions



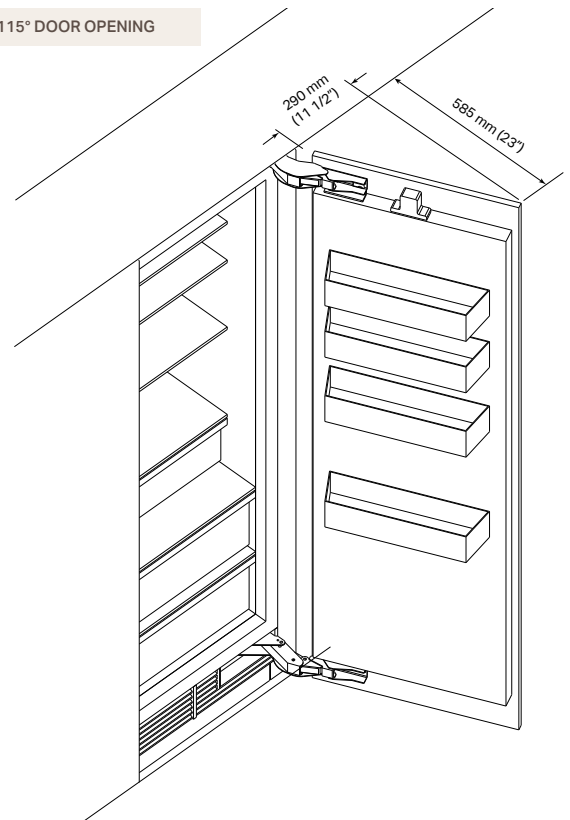
# SKSCR2411P

## Installation Notes

90° DOOR OPENING



115° DOOR OPENING



### Door clearances with flush installation

The installation must allow for clearances to adjacent walls or cabinets. The factory-set door opening is 115° and can subsequently be adjusted to 90° provided the clearances for opening at 115° are not sufficient.

#### ATTENTION

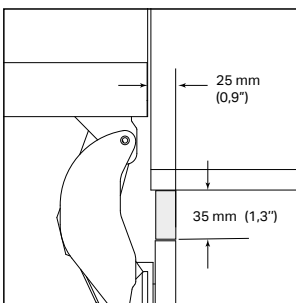
The clearance dimensions highlighted in the diagrams DO NOT include the depth of the handles, which must be added to these dimensions in case of a custom extended handle.

When using the Signature Kitchen Suite with brushed aluminium handles, the side clearances change as shown:

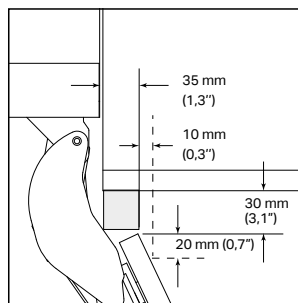
90° door  
Side clearance from 25 mm to 95 mm

115° door  
Side clearance from 290 mm to 360 mm

90° DOOR OPENING



115° DOOR OPENING



### Useful spaces for placing the handle on adjacent cabinets

In case of installation with door opening at 90° for potential placement of an extended handle on the side next to the refrigerator, a handle with a maximum height of 35 mm with respect to the external edge of the panel can be applied for the first 25 mm.

In case of installation with door opening at 115° for potential placement of an extended handle on the side next to the refrigerator, a handle with a maximum height of 30 mm with respect to the external edge of the panel can be applied for the first 35 mm.

A handle can be applied with a 20 mm increment in length for every additional 10 mm increment in distance from the flush cabinet.