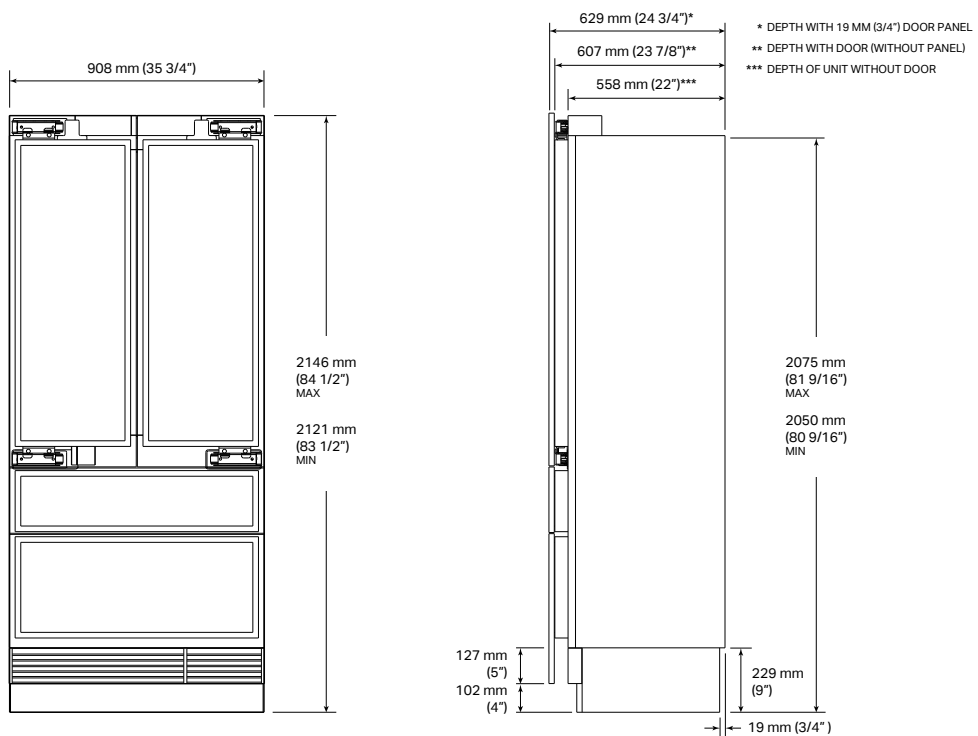


SKSFD3614P

# Integrated French Door refrigerator/freezer 36"



FRONT VIEW

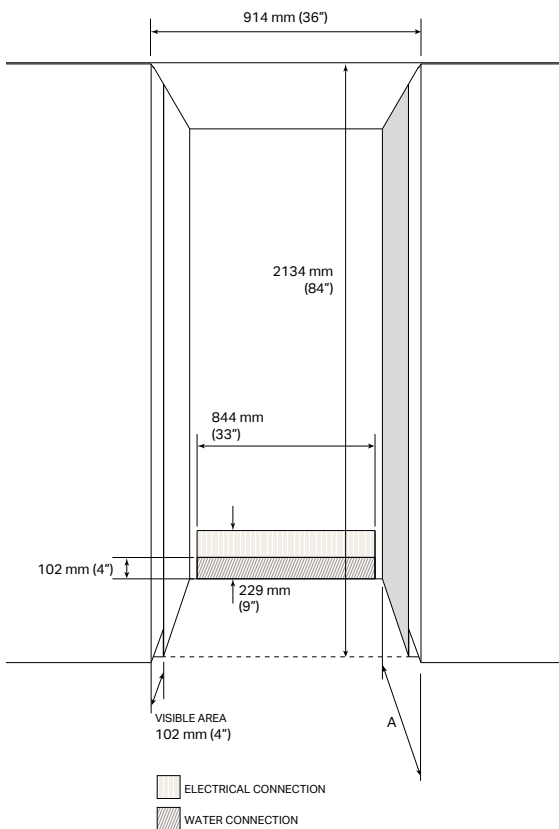
SIDE VIEW

## SKSFD3614P

<b>Model</b>	EAN: 8806091454928
<b>Door type</b>	Panel ready
<b>Hinges</b>	Plat
<b>Internal finish</b>	Stainless steel
<b>Energy Label</b>	
<b>Energy efficiency class</b>	F
<b>Net total capacity</b>	545 L
<b>Net refrigerator capacity</b>	383 L
<b>Net freezer capacity</b>	162 L
<b>Maximum sound level</b>	< 39 dbA Max
<b>ENERGY STAR® Qualified</b>	●
<b>Yearly total energy consumption (kWh)</b>	411
<b>Climate class</b>	SN-T
<b>Freezer class</b>	****
<b>General Properties</b>	
<b>No-Frost</b>	●
<b>Inverter Linear compressor</b>	●
<b>2 Independent cooling systems</b>	2 compressors
<b>Wi-Fi enabled for SmartThinQ® control with iOS/Android app</b>	●
<b>Automatic Adaptive Defrost</b>	●
<b>Functions that can be enabled from the control panel</b>	Water Filter, Ice Plus, Ice On/Off, Door Alarm, Wi-Fi, Power On/Off, Demo, Smart Diagnosis™, Temp control
<b>Speed Chill</b>	●
<b>Integrated Water Dispenser</b>	●
<b>Connection to the water supply</b>	●
<b>Water Filter (6 Months)</b>	●
<b>Full-Extension freezer storage drawer</b>	Soft closing
<b>Convertible drawer modes</b>	Freezer, Refrigerator, Meat and Seafood (-1°C), Cold Drinks (1°C), Deli fridge (3°C), Chilled Wine (5°C)
<b>Convertible drawer dividers</b>	2
<b>Storage shelves</b>	2 cantilever adjustable, 1 fixed
<b>Drawer design</b>	2 with telescopic guides and soft closing
<b>True-View® Lighting</b>	●
<b>Aluminium door bins with removable inserts</b>	6
<b>Removable ice bucket capacity</b>	2.3 kg
<b>Digital Controls w/ White LED Display</b>	●
<b>Water Filter Indicator</b>	●
<b>Ice production (24 Hours)</b>	1.6 kg
<b>Ice On / Off</b>	●
<b>Operating temperatures</b>	Refrigerator: 0°C to 6°C / Convertible drawer with 5 temperature modes Freezer drawer: -24°C to -16°C
<b>Installation</b>	
<b>Four Point Front Adjustable with 4 Wheels</b>	●
<b>Attachment method to cabinetry</b>	Top with no visible screws
<b>Front Serviceable</b>	●
<b>Anti-tip Bracket Included</b>	●
<b>Technical Specifications</b>	
<b>Required power supply</b>	230 V, 50 Hz
<b>Power cord length</b>	2200 mm (86.6")
<b>Overall width</b>	908 mm (35 3/4")
<b>Overall height</b>	2121 mm (83 1/2") MIN ~ 2146 mm (84 1/2") MAX
<b>Depth with door panel</b>	629 mm (24 3/4")
<b>Net weight</b>	231 kg
<b>Shipping weight</b>	255 kg
<b>Max packaged product dimensions</b>	2290x968x678 mm (90"x38"x26")
<b>Accessories</b>	
<b>Stainless steel panel / handle / toe kick kit</b>	SKSPK360FS
<b>Side wall cover kit in case of non-flush installation</b>	SKSFK800CS
<b>Joining kit for dual installation</b>	SKSFJ800P
<b>Medium brushed Aluminium Handle – 805 mm</b>	SKSHK310HS
<b>Long brushed Aluminium Handle – 1,218 mm</b>	SKSHK480HS
<b>Replacement water filter</b>	LT1000P-S

# SKSFD3614P

## Installation Notes



### Electrical

230V, 50Hz, 15 or 20° power supply required. It is recommended to set up a three-prong receptacle recessed into the wall and properly earthed, equipped with an individual circuit.

### Water connection

A connection to the water mains with a pressure between 1.37 and 8.27 bar (20 and 120 psi) is required. It is recommended to provide a specific cock for closing the circuit, not to be installed directly behind the product for easier accessibility and a pipe (Max Ø 9.5 mm) with a suitable length to reach the front of the refrigerator of approximately 355 mm, with respect to the front of the kitchen doors.

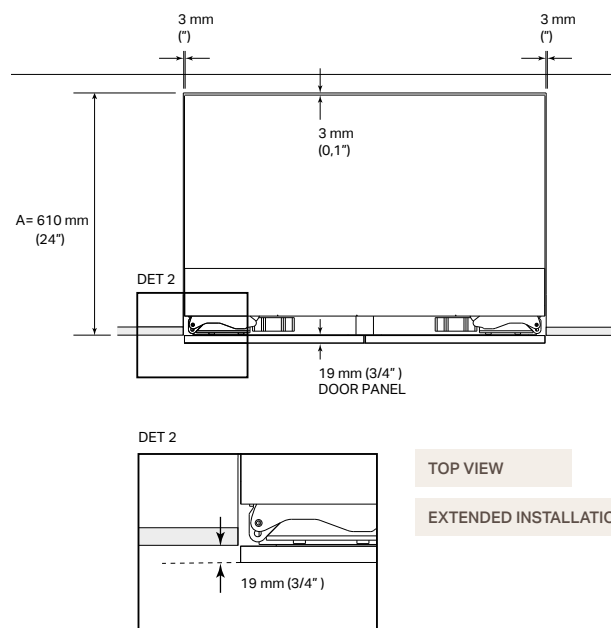
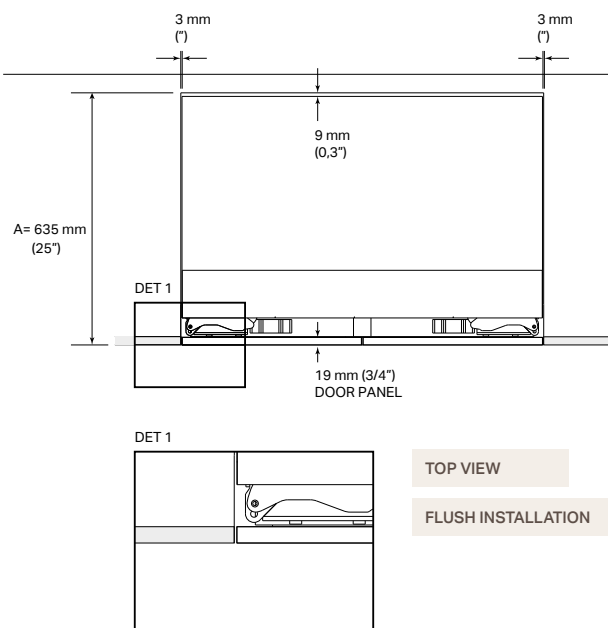
A maximum space of 40 mm from the bottom of the recess is available for the water connection.

### Visible area

The indicated area (102 mm) is visible once the refrigerator doors are opened, this area should be finished on both sides.

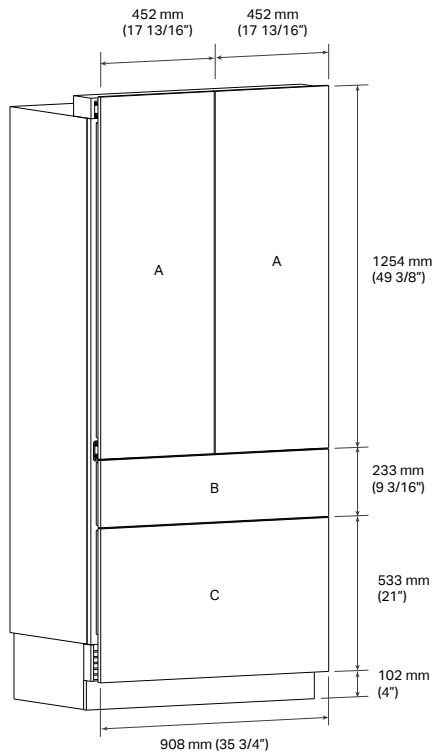
In case of non-flush installation, we recommend using the **SKSFK800CS** accessory, which consists of side panels that cover any visible side parts of the appliance.

## Flush or extended installation



## SKSFD3614P

### Custom panels



### Panel options

#### SKSPK360FS: Kit with stainless steel panel

The appliance can be panelled with the optional Signature Kitchen Suite stainless steel door kit. The kit includes two fresh refrigerator compartment door panels, one convertible drawer panel (B), one freezer drawer panel (C), one toe kick and four handles.

#### Custom Panels

The appliance is designed to be customised with panels in line with the aesthetics of kitchen cabinets. For the dimensions of custom panels, refer to the diagram and the indications below:

**A** - Refrigerator door panels: 1254 mm x 452 mm)

Maximum panel weight permitted: 15 kg

**B** - Convertible drawer panel: 233 mm x 908 mm)

Maximum panel weight permitted: 10 kg

**C** - Freezer drawer panel: 533 mm x 908 mm)

Maximum panel weight permitted: 15 kg

Toe kick: 102 mm x 908 mm

A gap between the various panels equal to 4 mm is present.

### Design Tips

The Signature Kitchen Suite handles, in brushed aluminium, in the medium or long version, can be purchased separately as an accessory.

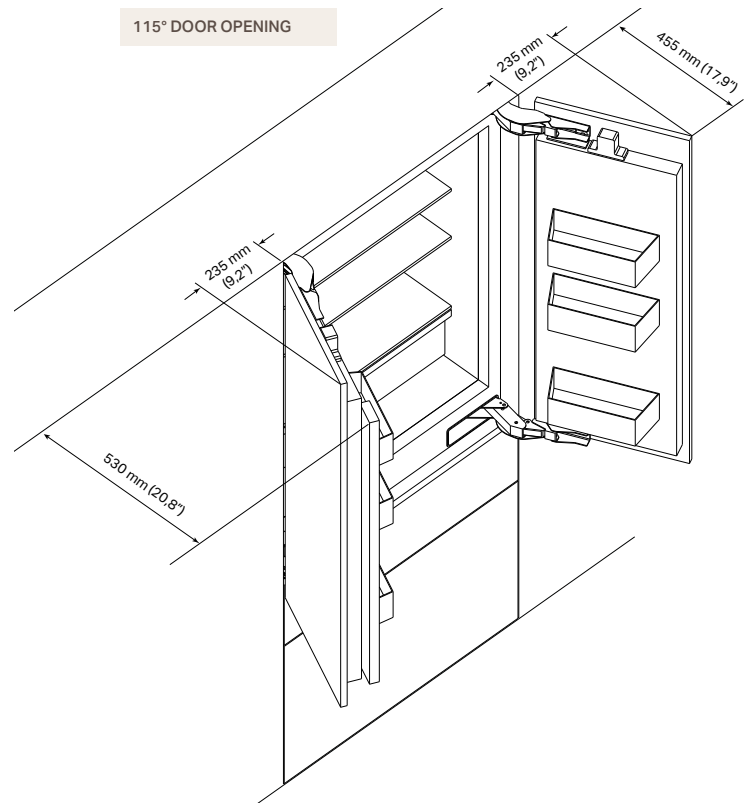
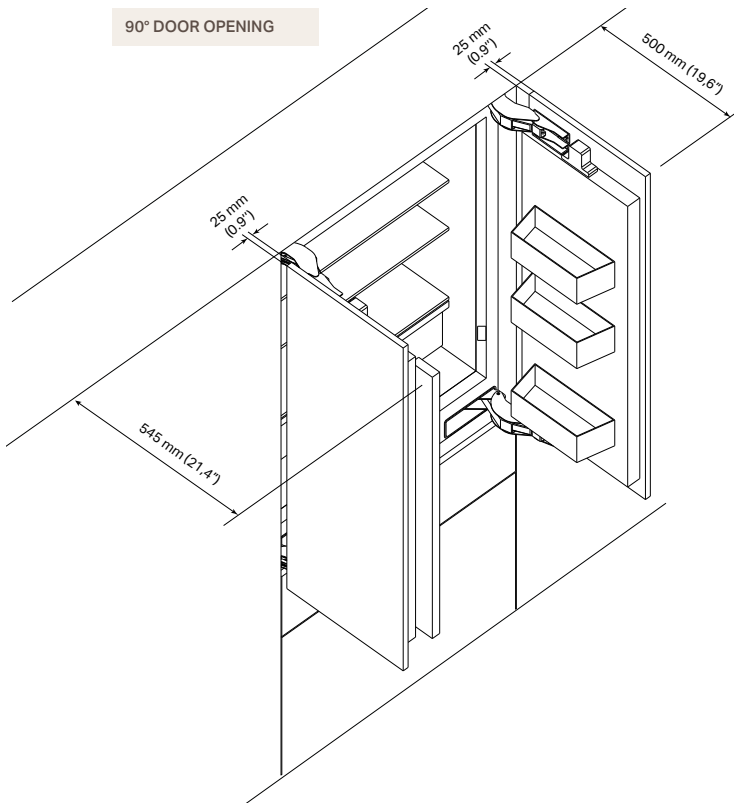
#### SKSHK310HS: Medium handles for custom panels

805 mm (31 11/16") Medium handle – Brushed aluminium

#### SKSHK480HS: Long handles for custom panels

1219 mm (48") Long handle – Shiny brushed aluminium

**Installation Notes**



**Door clearances with flush installation**

The installation must allow for clearances to adjacent walls or cabinets. The factory-set door opening is 115° and can subsequently be adjusted to 90° provided the clearances for opening at 115° are not sufficient.

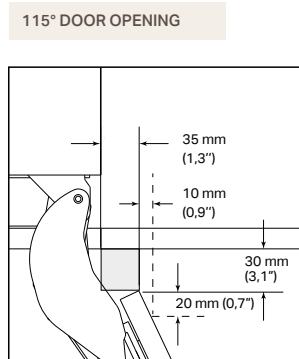
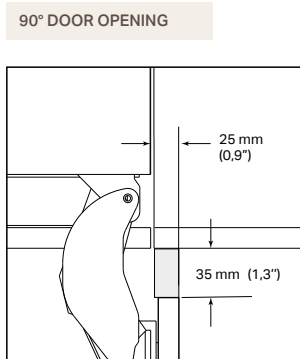
**ATTENTION**

The clearance dimensions highlighted in the diagrams DO NOT include the depth of the handles, which must be added to these dimensions in case of a custom extended handle.

When using the Signature Kitchen Suite kit with brushed aluminium handles, the side clearances change as shown:

90° door  
Side clearance from 25 mm to 95 mm

115° door  
Side clearance from 235 mm to 305 mm



**Useful spaces for placing the handle on adjacent cabinets**

In case of installation with door opening at 90° for potential placement of an extended handle on the side next to the refrigerator, a handle with a maximum height of 35 mm with respect to the external edge of the panel can be applied for the first 25 mm.

In case of installation with door opening at 115° for potential placement of an extended handle on the side next to the refrigerator, a handle with a maximum height of 30 mm with respect to the external edge of the panel can be applied for the first 35 mm.

A handle can be applied with a 20 mm increment in length for every additional 10 mm increment in distance from the flush cabinet.