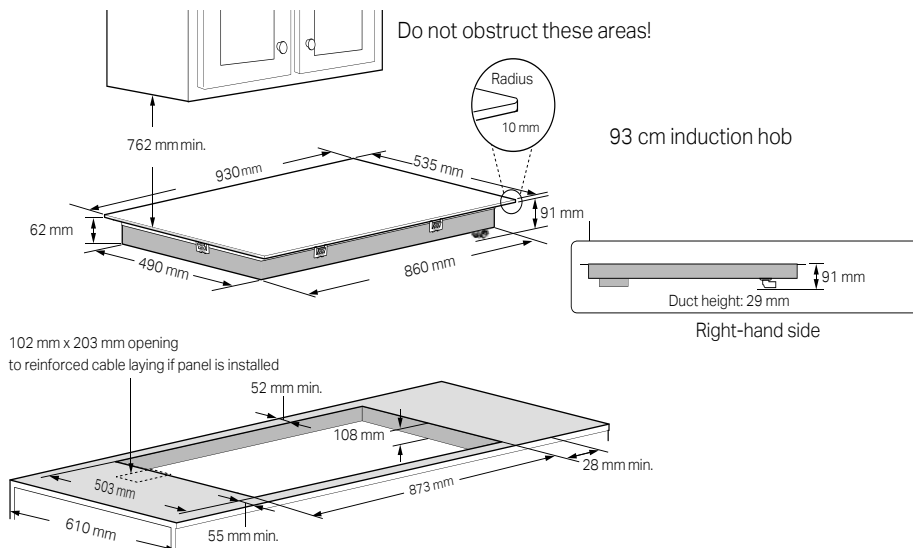


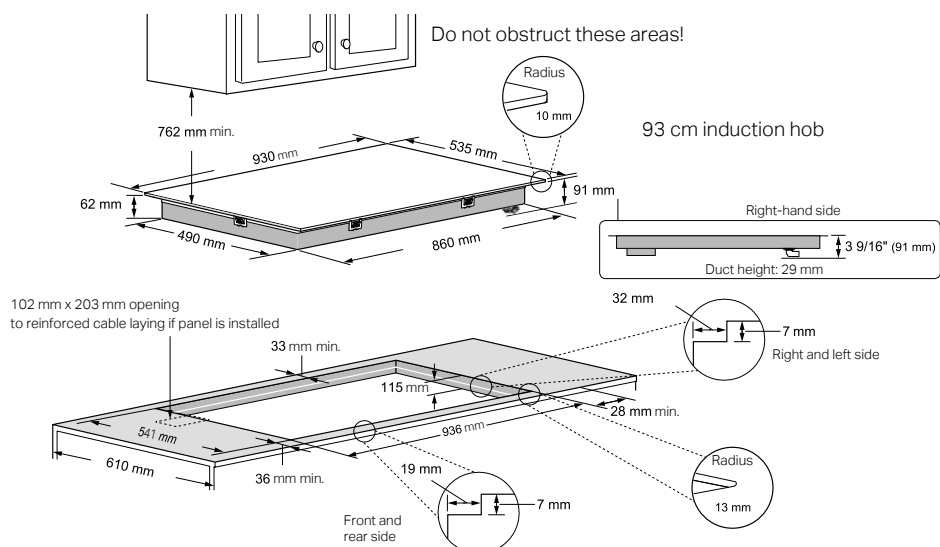
# Flex induction hob Silver



## Cutout dimensions - standard installation



## Cutout dimensions - flush installation



## SKSIT3621MS

<b>Model</b>	EAN: 8806084782373
<b>Standard / flush</b>	Standard / flush
<b>Finish</b>	Metallic Silver
<b>General Properties</b>	
<b>Commands</b>	7" TFT LCD Display
<b>Logo print</b>	Soft Printing under glass
<b>Wi-Fi enabled for SmartThinQ® Control with iOS/Android App</b>	●
<b>Cooking indicator light (red)</b>	●
<b>Simmer</b>	●
<b>Melt</b>	●
<b>Boost</b>	●
<b>Number of power levels</b>	17
<b>Cleaning lock</b>	●
<b>Display brightness management</b>	5 levels
<b>Clock</b>	●
<b>Automatic detection of pots and pans</b>	●
<b>Timer</b>	●
<b>Cooking zones</b>	
<b>Power of the right &amp; left front flex zone</b>	1,700 W
<b>Power of right &amp; left front flex zone (Boost mode)</b>	3,400 W
<b>Power of right and left rear flex zone</b>	1,700 W
<b>Power of right &amp; left rear flex zone (Boost mode)</b>	3,400 W
<b>Power of full right and left flex zone</b>	3,300 W
<b>Power of full right and left flex zone (Boost mode)</b>	3,650 W
<b>Power of dual centre zone</b>	3,400 W
<b>Power of dual centre zone (Boost mode)</b>	6,800 W
<b>Dimensions of front right flex zone</b>	21.5 x 18.0 cm
<b>Dimensions of front left flex zone</b>	21.5 x 18.0 cm
<b>Dimensions of rear right flex zone</b>	21.5 x 18.0 cm
<b>Dimensions of rear left flex zone</b>	21.5 x 18.0 cm
<b>Dimensions of full right and left flex zone</b>	21.5 x 36.0 cm
<b>Dimensions of dual centre zone</b>	ø 28.0 cm
<b>Energy Consumption</b>	
<b>Energy consumption of front left flex zone</b>	193.1 Wh/kg
<b>Energy consumption of front right flex zone</b>	193.1 Wh/kg
<b>Energy consumption of rear left flex zone</b>	193.1 Wh/kg
<b>Energy consumption of rear right flex zone</b>	193.1 Wh/kg
<b>Energy consumption of Dual zone Center</b>	197.8 Wh/kg
<b>Energy consumption of the hob calculated per kg</b>	194.0 Wh/kg
<b>Technical Specifications</b>	
<b>Hob type</b>	Integrated hob
<b>Heating technology</b>	Induction cooking zones and cooking zones
<b>Number of zones and/or cooking areas</b>	5
<b>Power consumption</b>	10,200 W
<b>Circuit breaker</b>	50 A
<b>Required power supply</b>	230 V~, 50 Hz
<b>Plug type</b>	No Plug
<b>Connection</b>	1630 mm flexible 3-wire cable in the conduit
<b>Energy</b>	Electrical
<b>Whole appliance size (H x W x D)</b>	91x930x535 mm (4"x36"x21")
<b>Required cutout size (H x W x D)</b>	146x873x503 mm (5.7"x34"x19")
<b>Minimum distance from front counter</b>	55 mm (2.1")
<b>Minimum distance from rear wall</b>	52 mm (2")
<b>Net weight</b>	22.9 kg
<b>Shipping Weight</b>	26.6 kg
<b>Consumption in Standby mode</b>	0.5 W