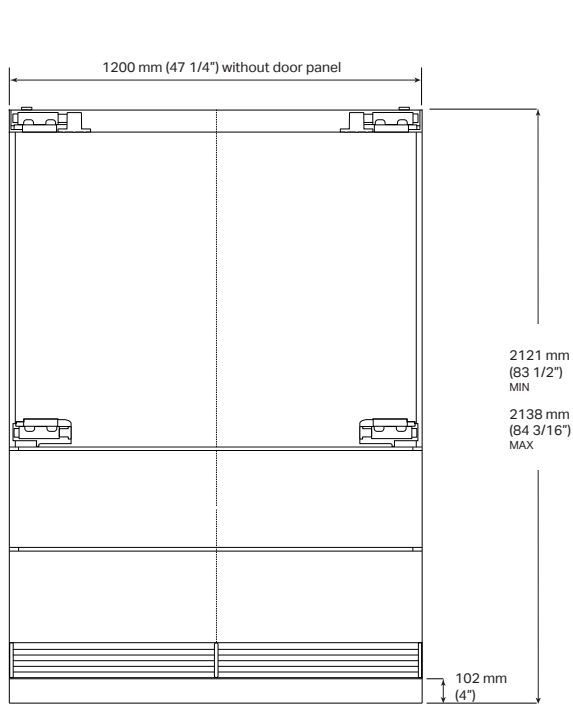
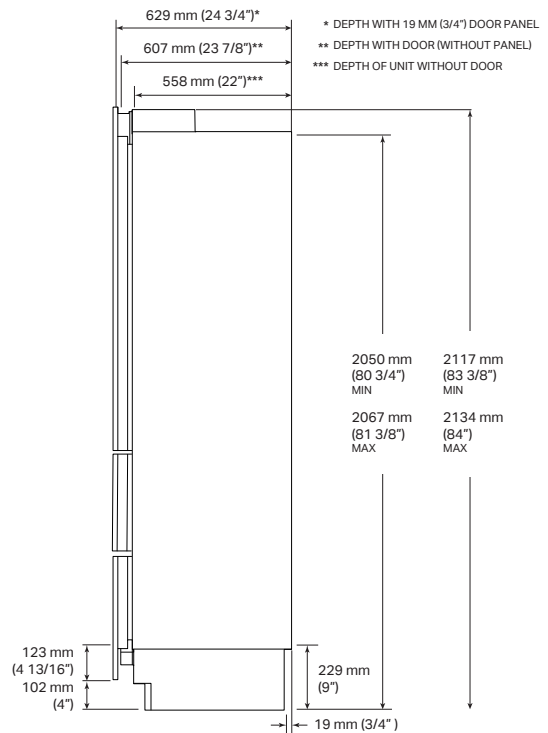


SKSFD4826P

# 48" Integrated refrigerator with French door



FRONT VIEW



SIDE VIEW

## SKSFD4826P

### Model

Door type	Panel ready
Internal finish	Stainless steel

### Energy Label

Net total capacity	735 L
Net refrigerator capacity	518 L
Net freezer capacity	215 L
Maximum sound level	39 dbA Max
ENERGY STAR® Qualified®	●
Yearly total energy consumption (kW/h)	411
Climate class	SN-T
Freezer class	****

### General Properties

No-Frost	●
Inverter Linear compressor	●
Dual Evaporators	●
Wi-Fi-Enabled for ThinQ® Control with iPhone / Android App Remote Operations	●
Automatic Adaptive Defrost	●
Modes	Sabbath, Ice Plus, Demo, Icemaker On / Off, Power On / Off, Temp Control, Water Filter Reset, Smart Diagnosis, WiFi, Smart Grid
Speed Chill	●
Integrated Water Dispenser	●
Connection to the water supply	●
Water Filter (6 Months)	●
Full-Extension Freezer Storage Drawer	2 Soft Close / Self Close
Full-Extension Dual Icemaker Drawer	1 Soft Close / Self Close
Full-Extension Convertible Drawer	1 Soft Close / Self Close
Convertible Drawer Modes	Freezer (-21°C to -15° C), Meat / Seafood (-1° C), Cold Drinks (0° C), Fridge / Deli (3° C), Chilled Wine (5° C)
Convertible Drawer Dividers	1
Storage Shelves	4 adjustable w/LED Lighting, 1 Fixed
Drawer Design	4 with telescopic guides and soft closing
Hidden LED Interior Lighting	●
Aluminum Framed Door Bins (Holds 2-Liter Bottles)	6
Dual Ice Makers with Craft Ice™	●
LCD Touch Screen	●
Water Filter Indicator	●
Ice Production (24 Hrs.), Cubed	1.6 kg
Ice Production (24 Hrs.) Craft Ice™	1.6 kg
Ice On / Off	●
Operating Temperatures	Refrigerator (-1° C to 6° C), Convertible Drawer (55 Preset Modes) Freezer Drawers (-21° to -15° C)

### Installation

Four Point Front Adjustable with 5 Wheels	●
Attachment Method to Cabinetry	Top with No Visible Screws
Front Serviceable	●
Anti-tip Bracket Included	●

### Technical Specifications

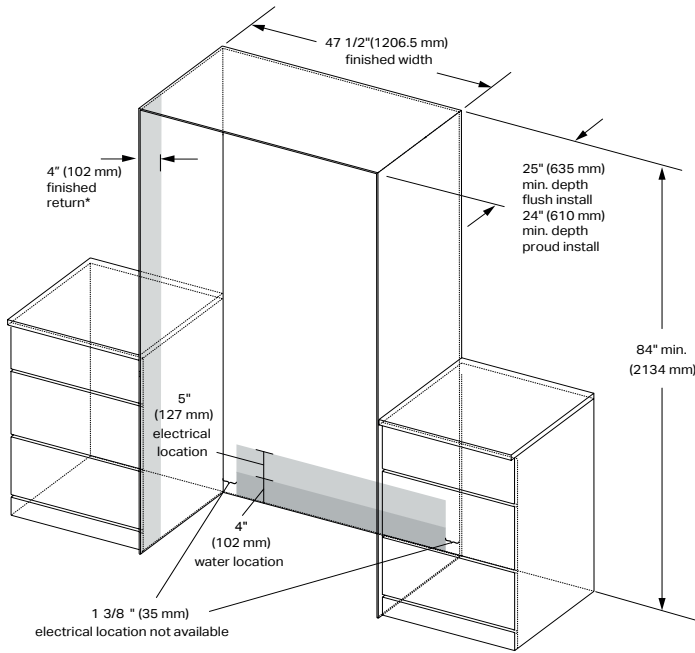
Required power supply	115 V, 60 Hz, 15 Amp
Power cord length	2200 mm (86.6")
Overall width	1200 mm (47 1/4")
Overall height	2121 mm (83 1/2") MIN ~ 2146 mm (84 1/2") MAX
Depth with door panel	629 mm (24 3/4")
Net weight	303 kg
Shipping weight	329 kg

### Accessories

Stainless steel panel / handle / toe kick kit	SKSPK480FS
Side wall cover kit in case of non-flush installation	SKSFK800CS
Medium brushed Aluminium Handle – 805 mm	SKSHK310HS
Short brushed Aluminium Handle – 578 mm	SKSHK230HS
Replacement water filter	LT1000P

# SKSFD4826P

## Installation Notes



A minimum 4" (102 mm) finished return that matches the cabinet exterior is recommended on all sides and the top of the cutout opening. The shaded area will be visible after installation.

### Cutout dimensions - flush or proud installation

Refrigerator can be installed flush with 3/4" custom panel or optional stainless steel panel kit. With a 25" (635 mm) cutout depth, the front face of the refrigerator fits flush with 25" (635 mm) depth adjacent cabinets.

### Electrical

A 115V, 60Hz., 15 amp power supply is required. An individual properly grounded branch circuit or circuit breaker is recommended. Install a properly grounded 3-prong electrical receptacle recessed into the back wall. Electrical must be located on rear wall as shown.

Note: gfi (ground fault interrupter) is not recommended.

### Water Line

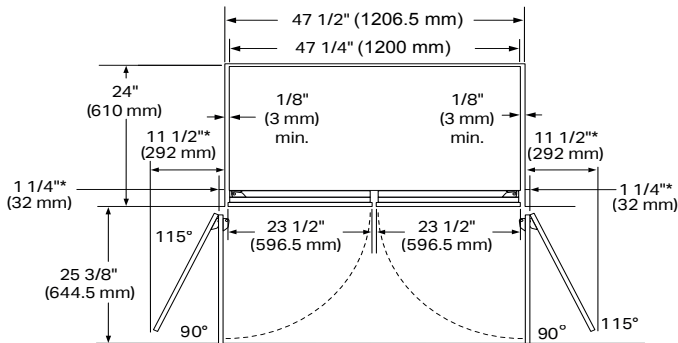
A cold water supply is required for automatic icemaker operation. Water pressure must be between 20 and 120 p.s.i.

Tubing should be long enough to extend to the front of the refrigerator. Allow enough tubing to accommodate a bend leading into the water line connection.

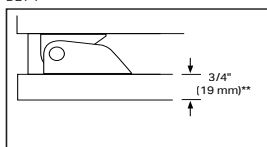
Water line can enter an opening through floor or back wall.

Install a shut-off valve between the icemaker water valve and cold water supply in the home.

### TOP VIEW



DET 1



\*Door handle must be added to this dimension.

\*\*Varies depending on the thickness of the custom cabinet panel. 3/4" (19 mm) is relevant when using the Stainless Steel Door Panel Kit (optional accessory).

### Notes

#### Door Swing Clearances

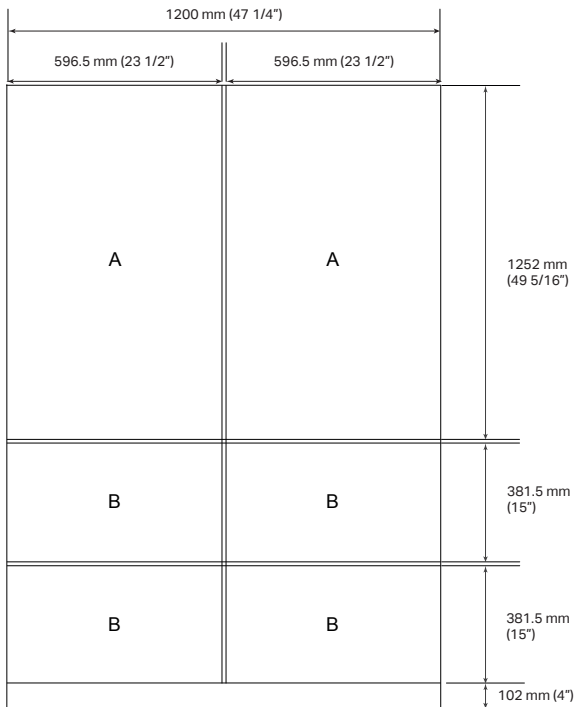
The installation must allow for clearances to adjacent walls or cabinets. This refrigerator is equipped with a 2-position door stop. The factory-set 115° door swing can be adjusted to 90° if clearance to adjacent cabinets or walls is restricted.

#### Door Handle Clearances

The Door Handle depth must be added to the dimension noted to determine the total clearances required from adjacent cabinets or walls. This clearance will vary depending on the custom handle used. When using the Stainless Steel Door Panel Kit w/Handles or the Brushed Aluminum Handles (optional accessories), the door handle clearance with door open 115° is 12" (305 mm).

## SKSFD4826P

### Custom panels



### Panel options

These units are designed to be customized with decorative panels. Field-installed custom door panels or an optional Stainless Steel Panel Kit is required.

#### For Custom Panels

Use templates provided with units to predrill holes for mounting panel brackets (provided with unit). Adjustment screws and instructions also provided with units.

#### Maximum Panel Weight

**A** - Fresh food door panels: 15 kg (33 lbs)

**B** -Pannelli dei cassetti: 6 kg (14 libbre)

#### Design Tips

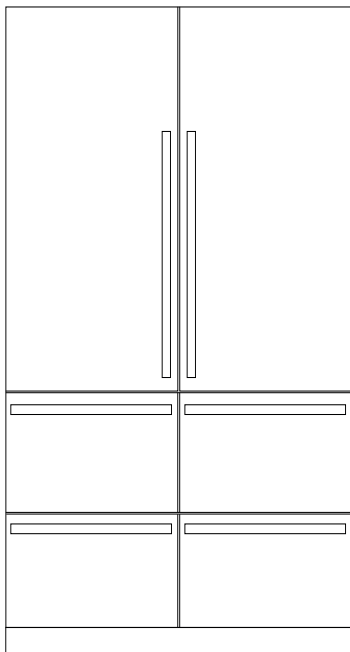
4" (102 mm) will be visible on the interior sides of the furniture return. It is recommended that both sides of each cutout panel be finished to match the cabinet exterior.

If using custom panels, a custom toe kick is required. The bottom of case is unfinished.

#### Door Handles

Handles are not included with the refrigerator. Custom handles are required for installation. Brushed Aluminum Handles are available as an optional accessory.

### Optional Accessories



#### SKSPK480FS - Stainless Steel Panel Kit for 48-inch Built-in-French Door Refrigerator / Freezer

This refrigerator can be installed with an optional Stainless Steel Panel Kit. Kit includes two fresh food door panels, four drawer panels, one toe kick and six handles.

#### Handles for Use With Custom Panels

**SKSHK310HS** - 31 11/16" (805 mm) Medium Handle for Doors - Brushed Aluminum

**SKSHK230HS** - 22 3/4" (578 mm) Short Handle for Drawers - Brushed Aluminum

#### SKSFK800CS - Frame Kit

This unit can be installed in a 24" (610 mm) deep cutout with an optional frame kit. The kit includes two 80" (2032 mm) brushed aluminum side trim pieces. Each trim piece is 5" (127 mm) deep with a 1/8" (3 mm) front face.